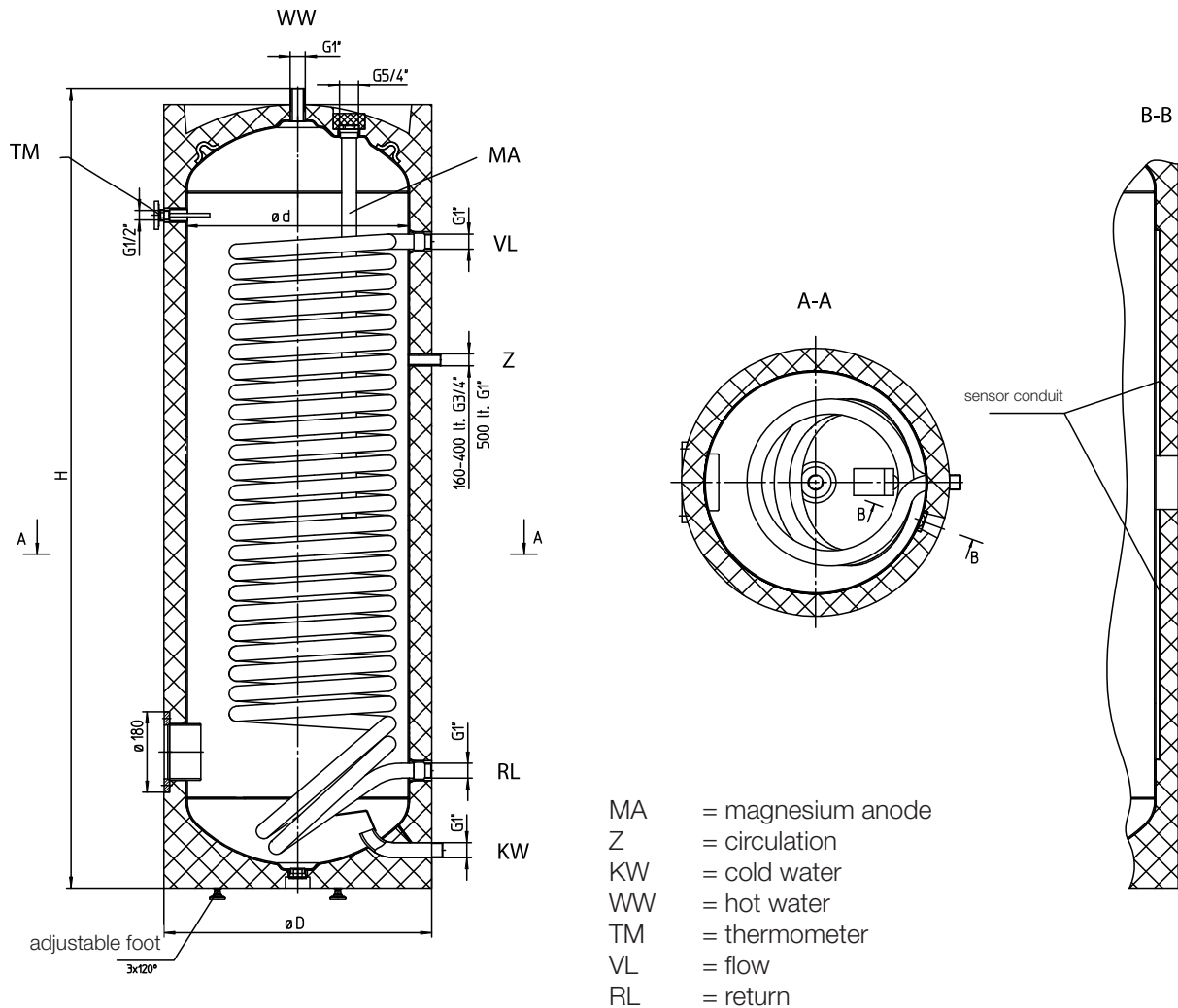


# Technical data

## Hot water tank

### Type HR 160 - 500

customer services:



The support pedestals must NOT be used for transport purposes!

Type	dimensions in mm			flue surface m <sup>2</sup>
	øD	H	ød	
HR 160	610	1118	500	1,40
HR 200	610	1340	500	1,80
HR 300	610	1797	500	2,60
HR 400	680	1832	570	3,80
HR 500	760	1838	650	4,00