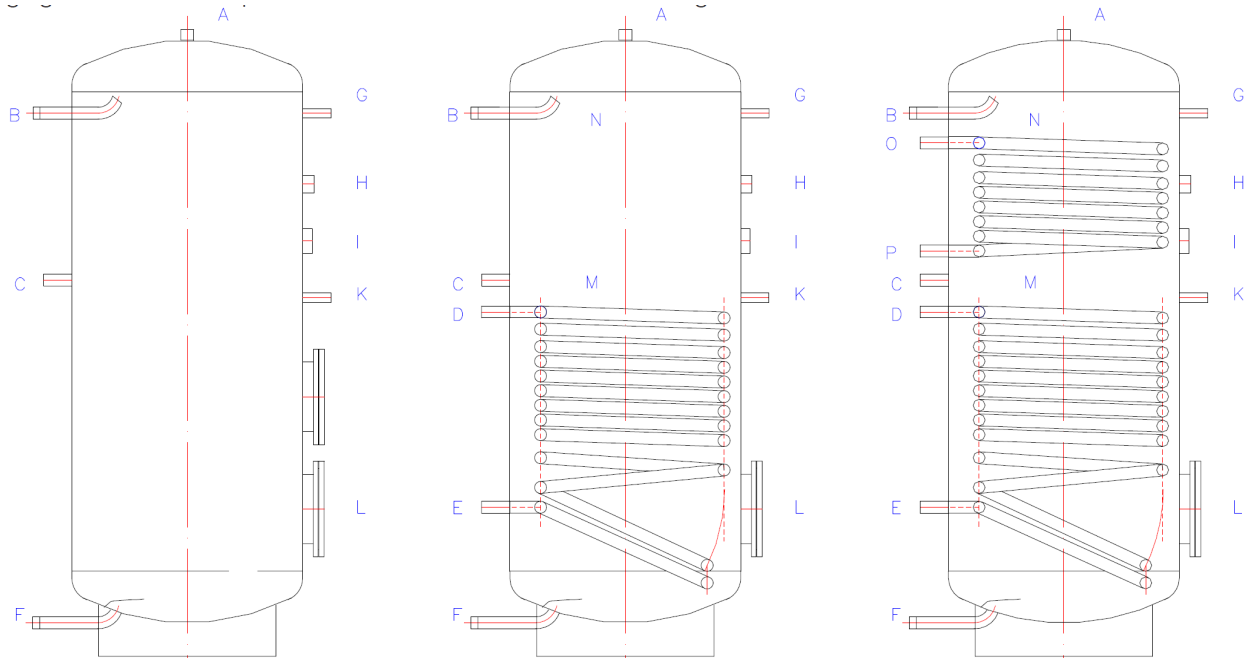


These Special Large Boilers have been designed especially for larger quantities of warm water. The features of these models are high quality and flexible usage. They are designed with two large flanges types FFM (flange Ø 240 mm) or with one large flange and a enamelled heat exchanger types FRM. The high quality inner steel tank enamelled according to DIN 4753 with fitted a maintenance-free External current anode. Protective coating on the outside. This new generation of hot water tanks of Austria Email was designed according to special market requirements and the latest findings in the field of application of energy and saving as well as protection against corrosion, environmental acceptability, design and functionality.

Quality criteria, certificate:

- Optimum protection against corrosion by high quality enamelling according to DIN 4753.
- Stove enamel at 850°C therefore temperature resistant.
- Protection of the environment by high efficient fleece insulation.
- Screw-in heating pipe coupling.
- Tank baffle in cold water pipe.
- 2 controlling couplings ½" or sensor tubes about the length possible.
- Enamelled heat exchanger
- Crane eyes welded.
- Maintenance-free Correx-external current anode fitted.
- Designed by AD-Regulations
- Flange for inspection, cleaning and for combination with an electric build-in heating element or gilled pipe heat exchanger.

Special large tank for domestic hot water VT 1500 – 3000



Dimension			1500	2000	2500	3000
Type			FFM/FRM/FRMR	FFM/FRM/FRMR	FFM/FRM/FRMR	FFM/FRM/FRMR
Ø of tank with ISO 100 mm			1200	1300	1400	1400
Height with ISO 100 mm			2230	2420	2480	2870
Ø of tank without ISO 100 mm			1000	1100	1200	1200
HW/ventilation	A	5/4" FT	2122	2313	2373	2768
Hot water	B	5/4" MT	1825	1997	2027	2422
Circulation	C	1" FT	1217	1252	1282	1682
Heating inflow, bottom	D	5/4" FT	1067	1088	1122	1262
Heating return flow, bottom	E	5/4" FT	362	448	482	482
Heating inflow, top	O	5/4" FT	1722	1713	1927	2272
Heating return flow, top	P	5/4" FT	1342	1393	1597	1942
CW/discharge	F	5/4" MT	80	168	80	100
Sensor	G	1/2" FT	1825	1997	2027	2422
Correx anode	H	3/4" FT	1494	1612	1642	1992
Electric heating element	I	2" FT	1354	1472	1502	1852
Sensor	K	1/2" FT	1167	1202	1232	1482
Flange	L	D = 240	837	847	877	877
Flange	L	D = 240	437	447	477	477
Heat exchanger	M	HE m ² /l	3,5 / 29	4,0 / 36	4,0 / 36	5,0 / 47
Heat exchanger	N	HE m ² /l	1,75 / 15	2,0 / 18	2,0 / 18	2,5 / 25
Weight in kg			360/425/460	420/493/532	495/570/610	620/713/762
Tilted height			2250	2440	2520	2890
Operating pressure in bar			10	10	10	10
Operating temperature in °C			95	95	95	95

All dimensions are approximate values. Printing errors and technical changes reserved.