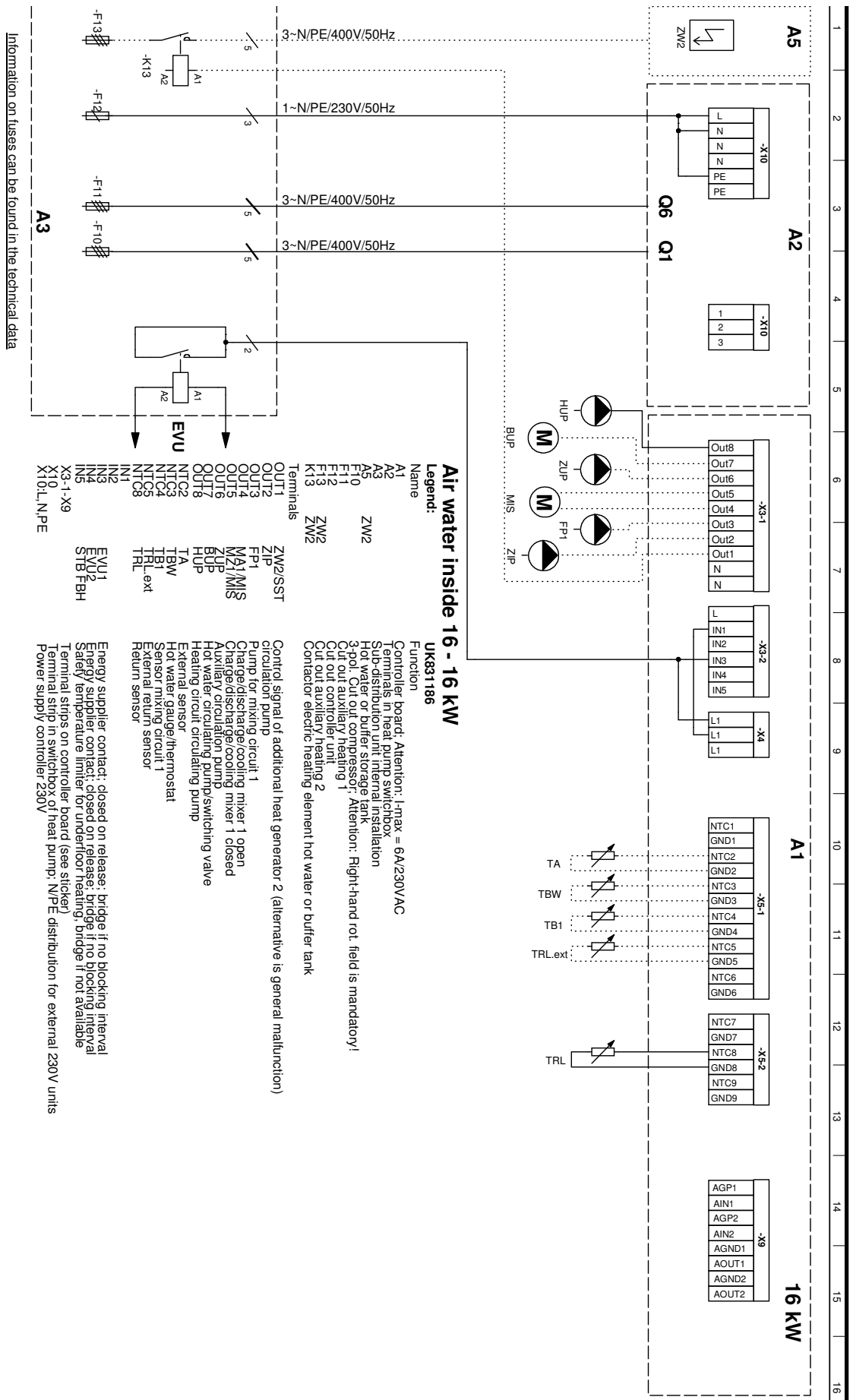




Terminal diagram

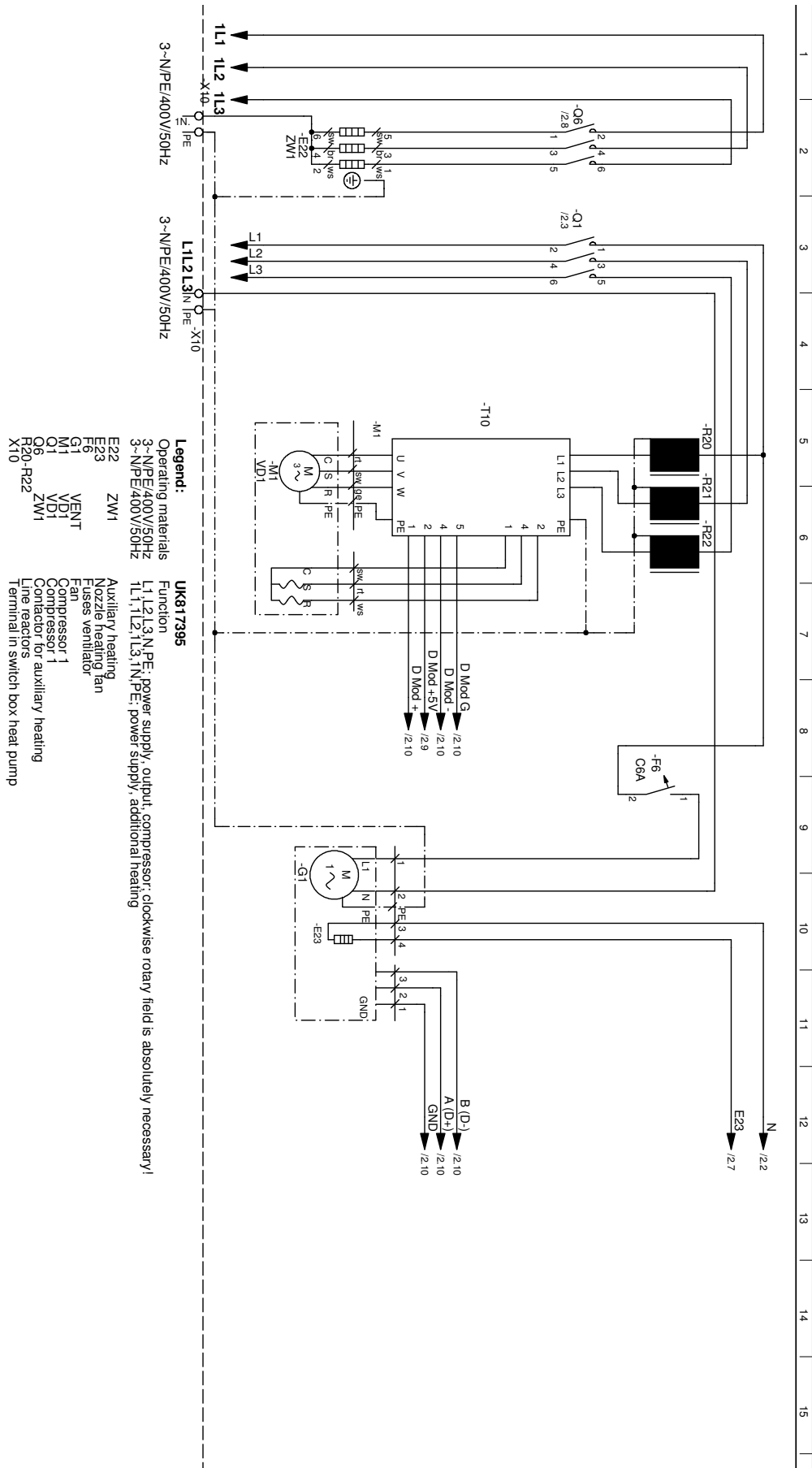
LW 160H(L)/V





Circuit diagram 1/5

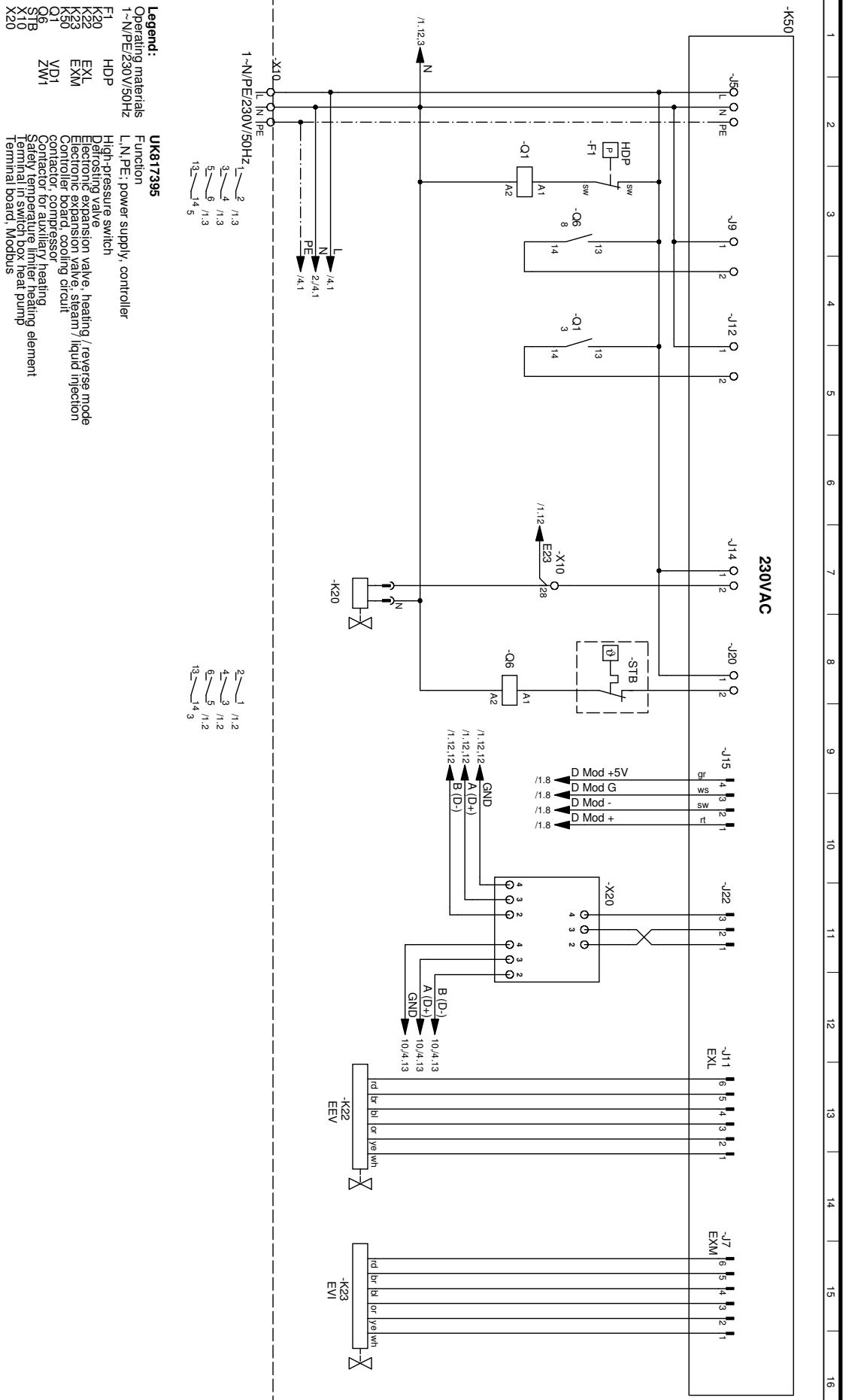
LW 160H(L)/V





Circuit diagram 2/5

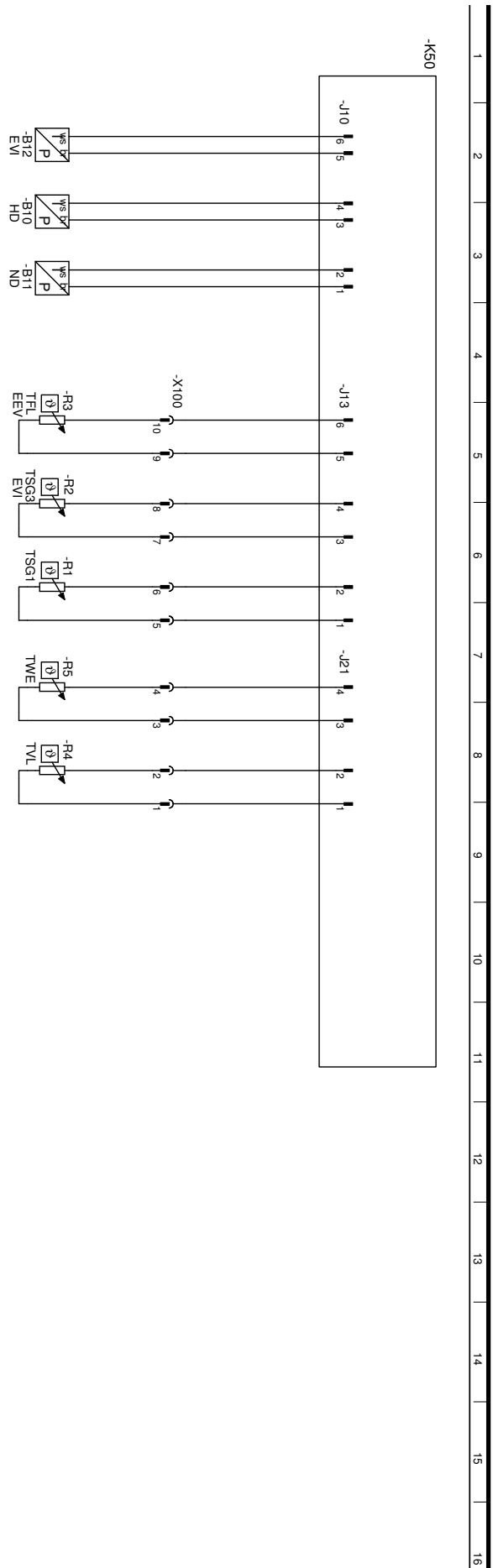
LW 160H(L)/V





Circuit diagram 3/5

LW 160H(L)/V

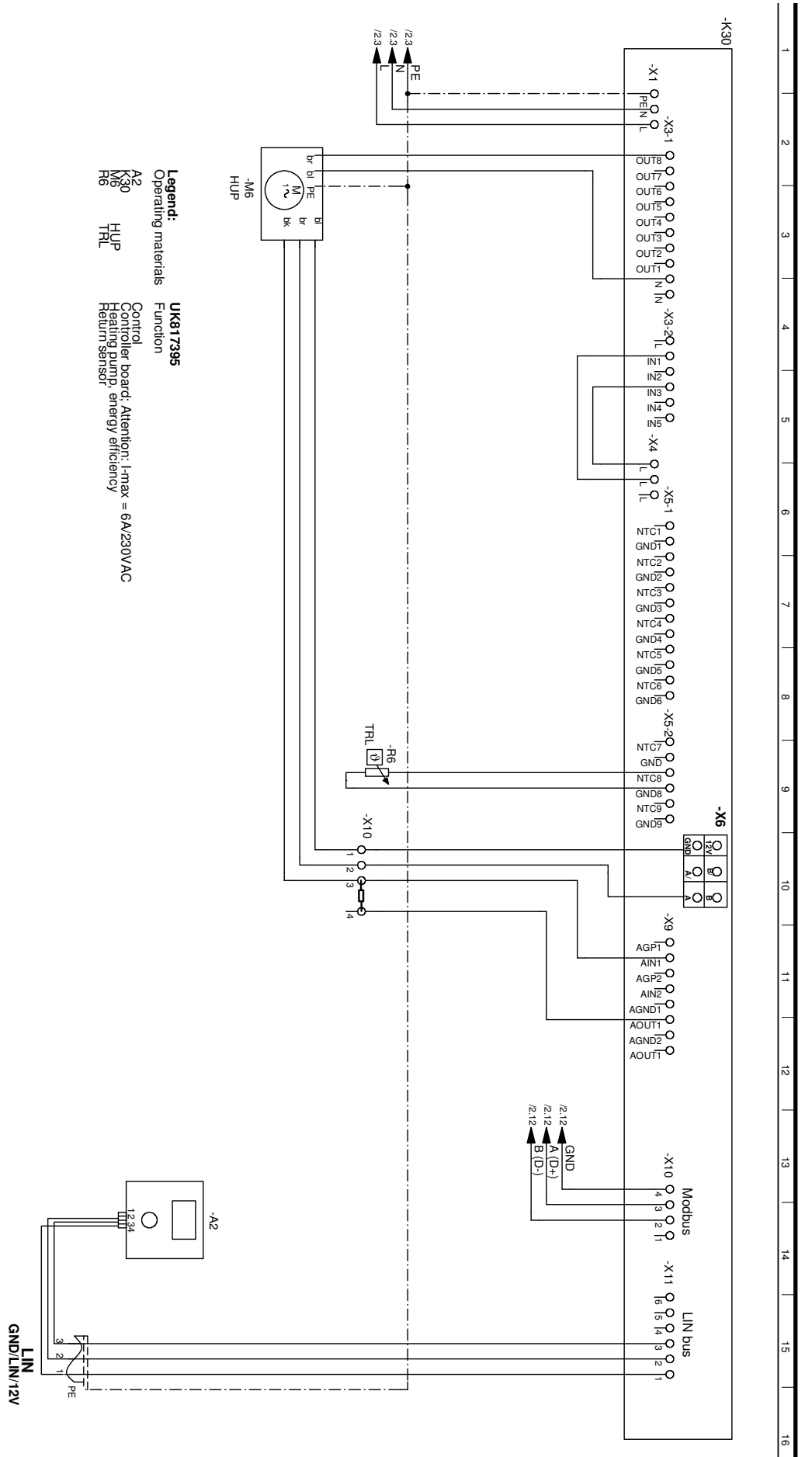


- Legend:**
UK817395
 Operating materials Function
- | | | |
|-----|------|---|
| B10 | HD | High-pressure sensor |
| B11 | ND | Low-pressure sensor |
| B12 | EVI | Pressure sensor - EVI |
| R1 | TSG1 | Suction sensor, condenser |
| R2 | TSG3 | Suction sensor, EVI |
| R3 | TEV | Liquid temperature before EEV heating / reverse |
| R4 | TWL | Flow sensor |
| R5 | TWE | Heat source input sensor |
| K50 | | Controller board, cooling circuit |



LW 160H(L)/V

Circuit diagram 4/5



Legend:
 Operating materials UK817395
 Function
 Control board: Attention: I_{max} = 6A/230VAC
 A2 Control board
 M6 Motor
 R6 Resistor
 TRL HUP
 TRL Return sensor



Circuit diagram 5/5

LW 160H(L)/V

