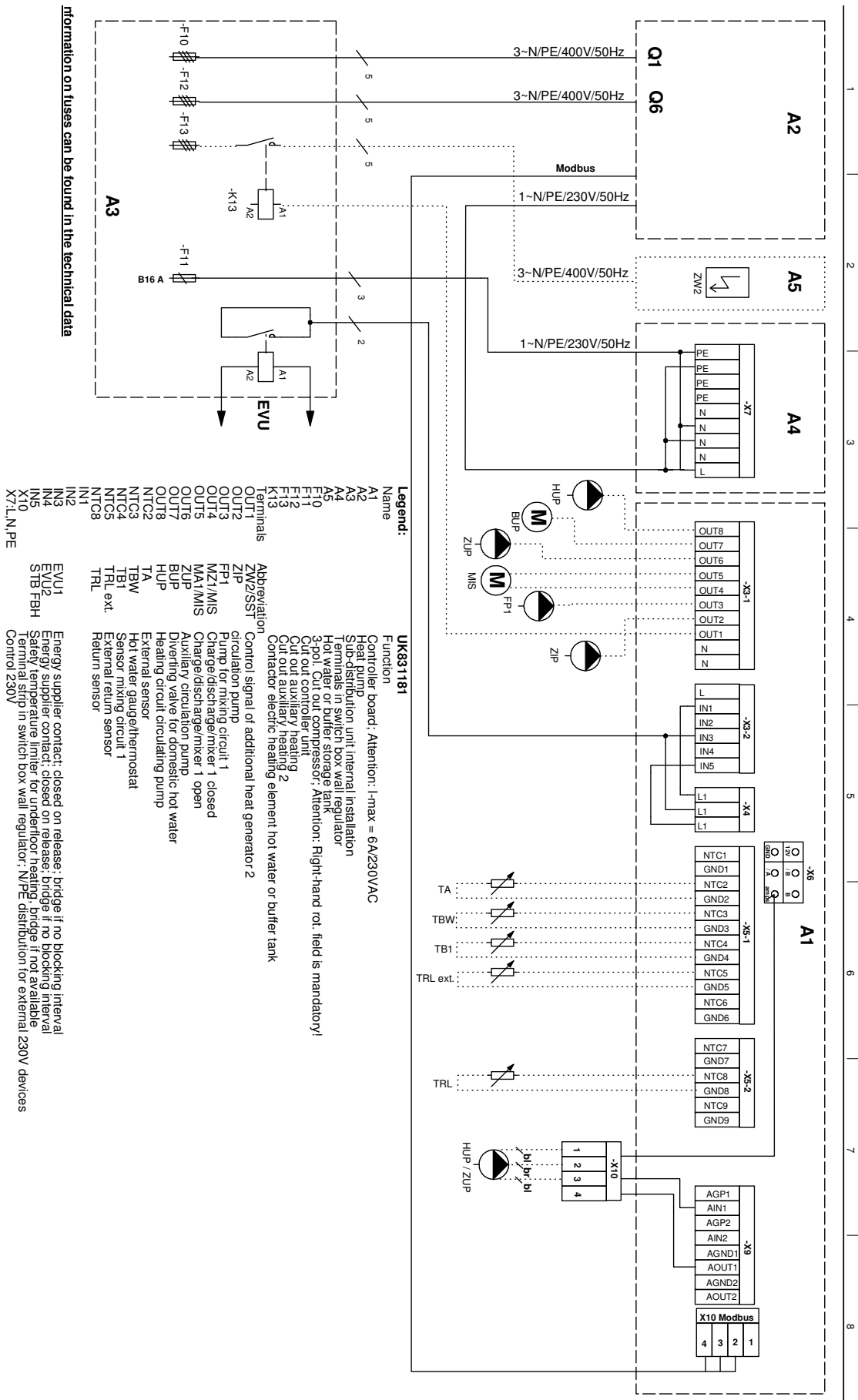




# LW 160H-A/V

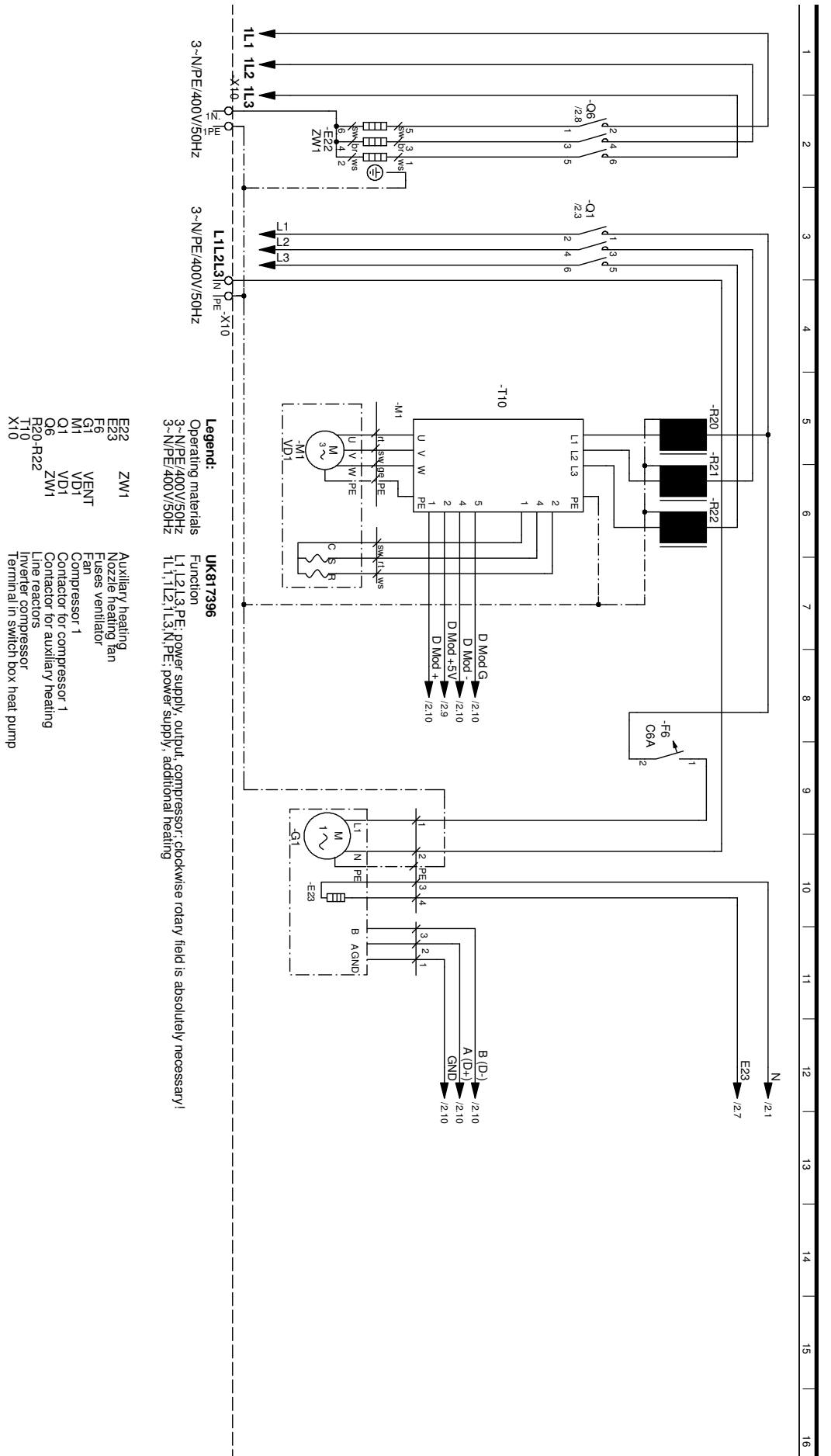
# Terminal diagram





# Circuit diagram 1/4

# LW 160H-A/V







# Circuit diagram 3/4

# LW 160H-A/V

