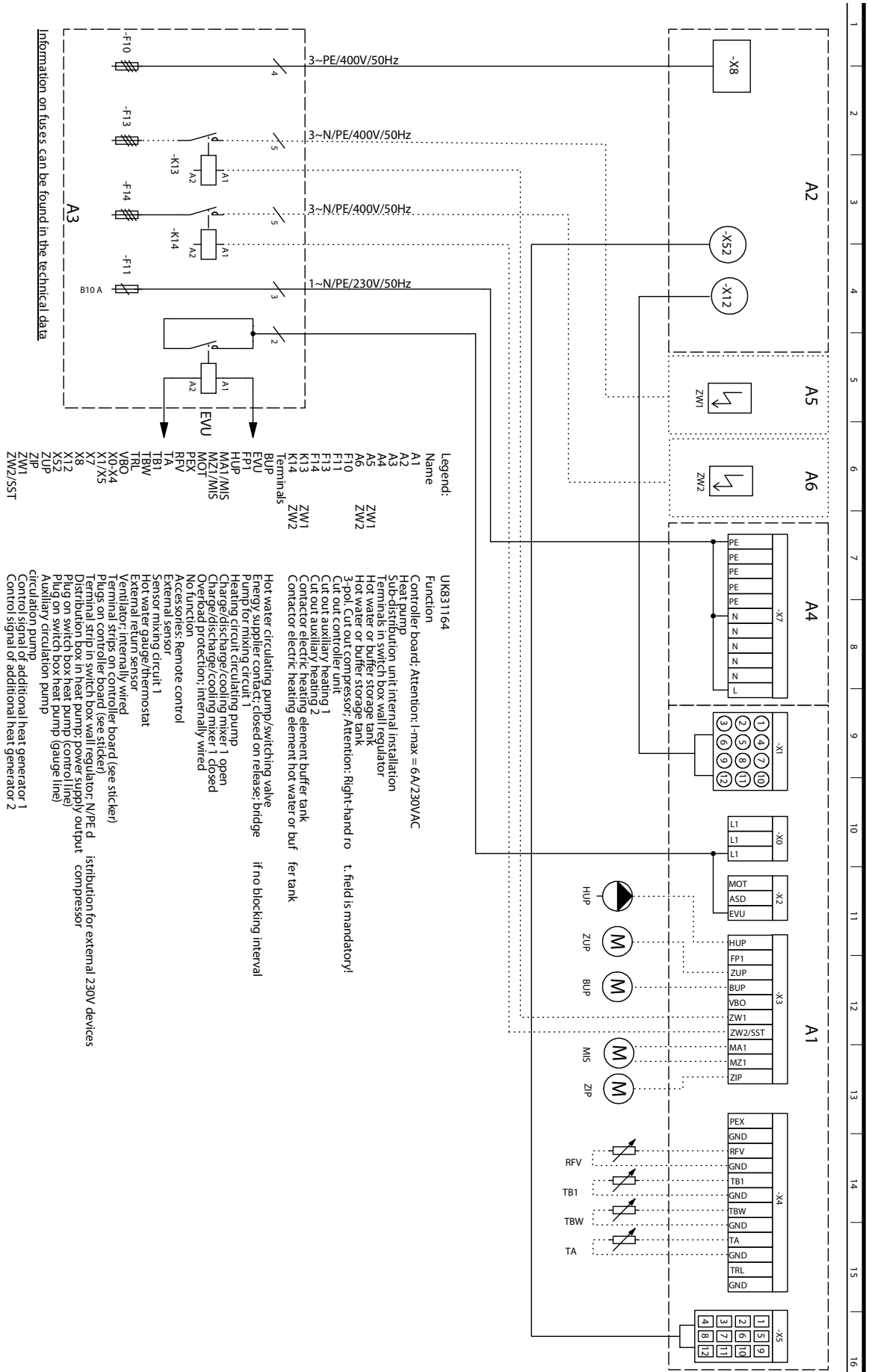




# LW 90A/RX – 140A/RX

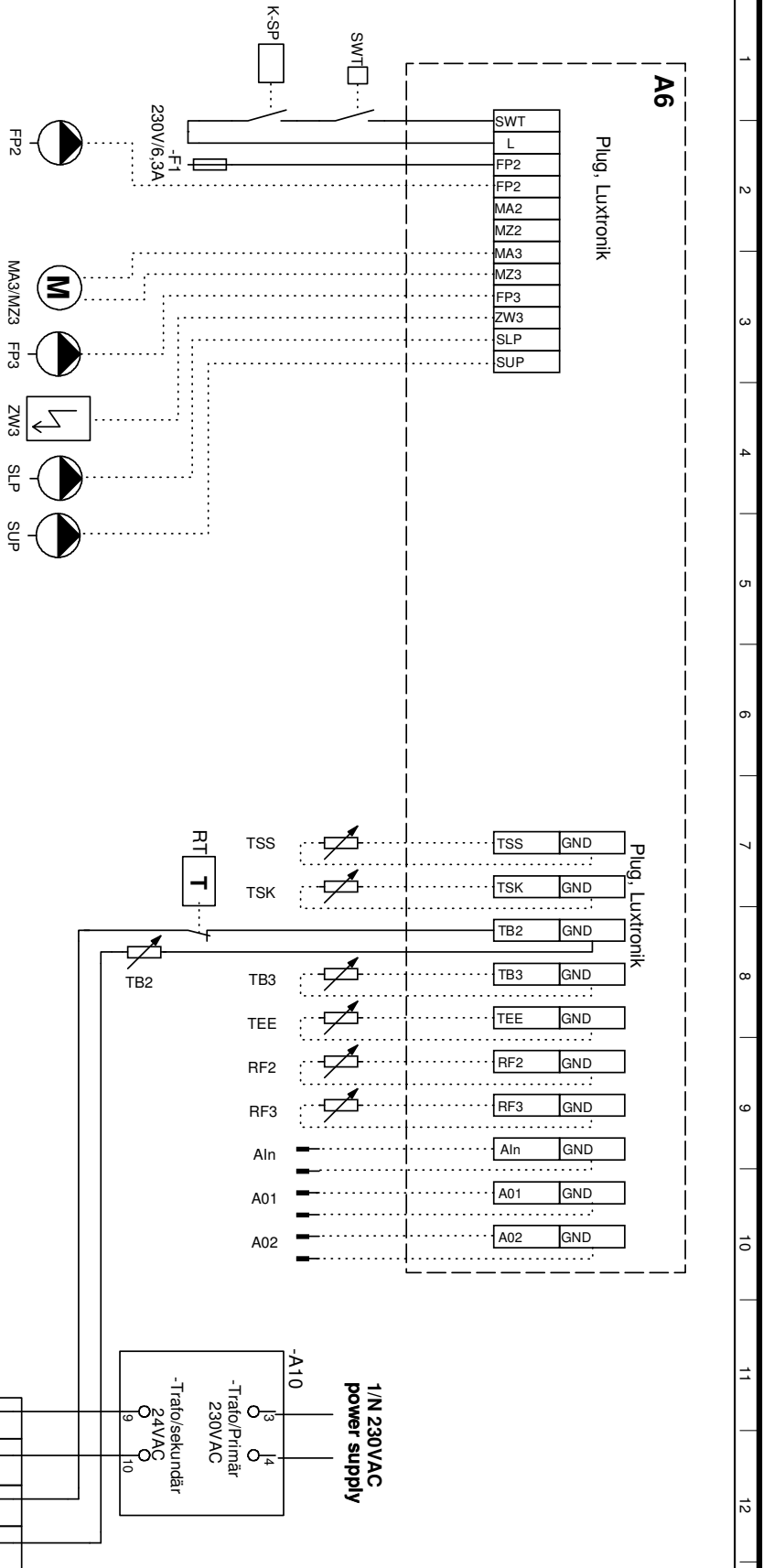
## Terminal diagram





# Comfort board

# Terminal diagram



## Comfort board, reversible

### Legend:

### UK831163

| Name    | Function   |
|---------|--|
| A6      | Comfort board  |
| A10     | Transformer 230V/24VAC   |
| F1      | Series fuse mixer circuit pump 2 max: 230V 6.3A potential-free contact |
| FP2     | Pump, mixing circuit 2, dry contact                                    |
| FP3     | Pump for mixing circuit 3  |
| K-SP    | Contactor, secondary pump  |
| MA3/MZ3 | 230V Charge/discharge/cooling mixer                                    |
| RT      | Floor thermostat   |
| SLP     | Solar charge pump  |
| SUP     | Swimming pool, circulating pump  |
| SWT     | Swimming pool, thermostat  |
| X100    | Accessory connections dew-point detector                               |
| X101    | Connections, dew-point detector  |
| ZW3     | Control signal, additional heat generator 3                            |
| Aln     | Analogue input 0-10V / 0-20 mA   |
| A01     | Analogue output 1 0-10V  |
| A02     | Analogue output 2 0-10V  |
| RF2     | Room station, mixing circuit 2   |
| RF3     | Room station, mixing circuit 3   |
| TB2     | Cooler sensor separator storage  |
| TB3     | Sensor mixing circuit 3  |
| TEE     | Sensor, external energy source   |
| TSK     | Error solar collector  |
| TSS     | Error solar tank   |

## ! CAUTION:

For all unit-specific connections, refer to the terminal diagram for the respective unit.



Operating manual for the respective unit

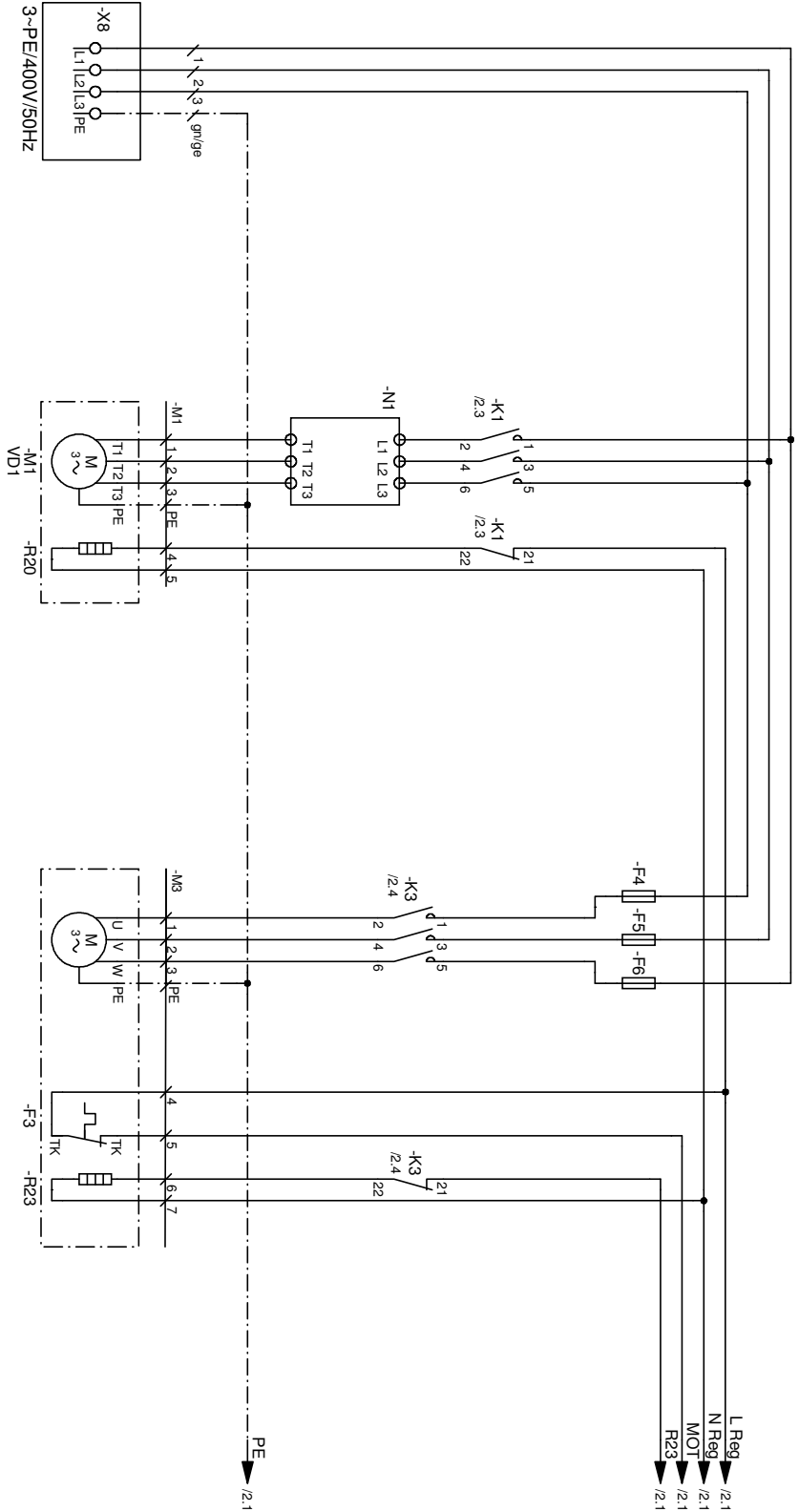


# Circuit diagram 1/2

# LW 90A/RX – LW 140A/RX

- Legend:**  
 Operating materials  
 3~PE/400V/50Hz
- F3 - F6
  - K1 - K3
  - M1 - M3
  - N1
  - VD1
  - VD2
  - VENT1

- UK817072a**  
 Function  
 Power supply compressor; right-hand rot. field is mandatory!
- Motor protection fan
  - Fuses ventilator
  - Contactor for compressor 1
  - Network protection fan
  - Compressor 1
  - Compressor 2
  - Fan
  - Starting current limit compressor 1
  - Sump heating for compressor 1
  - Nozzle heating fan
  - Distribution box power supply output compressor
  - Distribution box power supply additional heating





# LW 90A/RX – LW 140A/RX

# Circuit diagram 2/2

