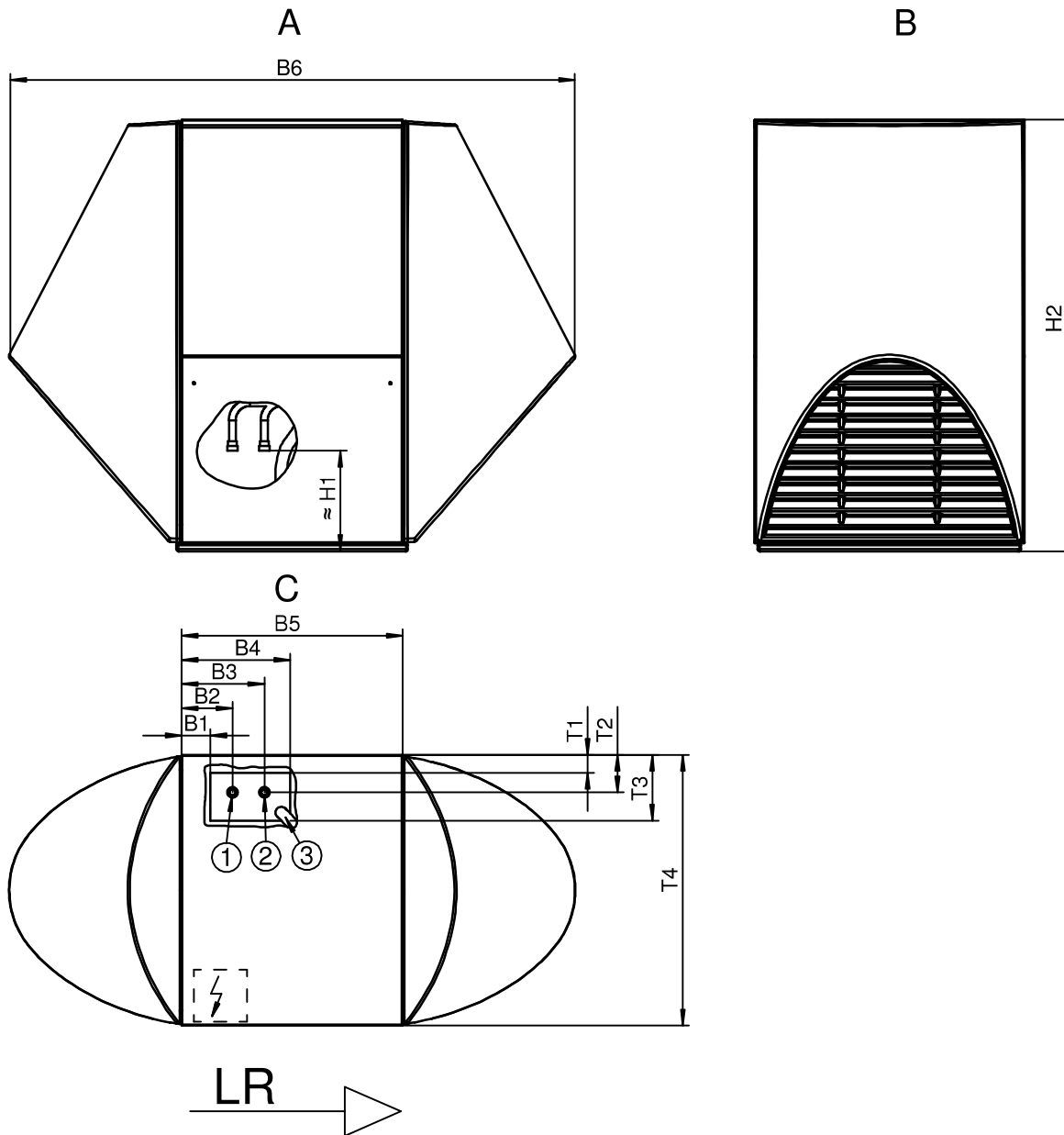




LW 90A/RX... – LW 140A/RX

Dimensional drawings



Legend: UK819294c_Rev

All dimensions in mm.

- A Front view
- B Side view
- C Top view
- 1 Heating water outflow (forward flow)
- 2 Heating water inflow (return flow)
- 3 Condensate hose diameter 36
- LR Air direction

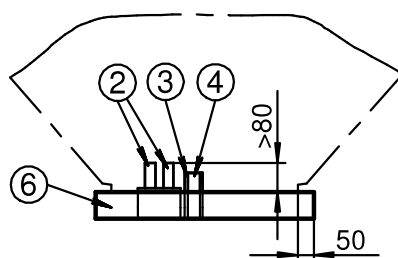
	B ₁	B ₂	B ₃	B ₄	B ₅	B ₆	T ₁	T ₂	T ₃	T ₄	H ₁	H ₂	1	2
LW 90A/RX...	91	160	260	341	694	1774	56	117	206	848	315	1353	R 1"	R 1"
LW140A/RX	79	139	239	329	715	1931	132	207	282	1050	430	1780	R 1¼"	R 1¼"



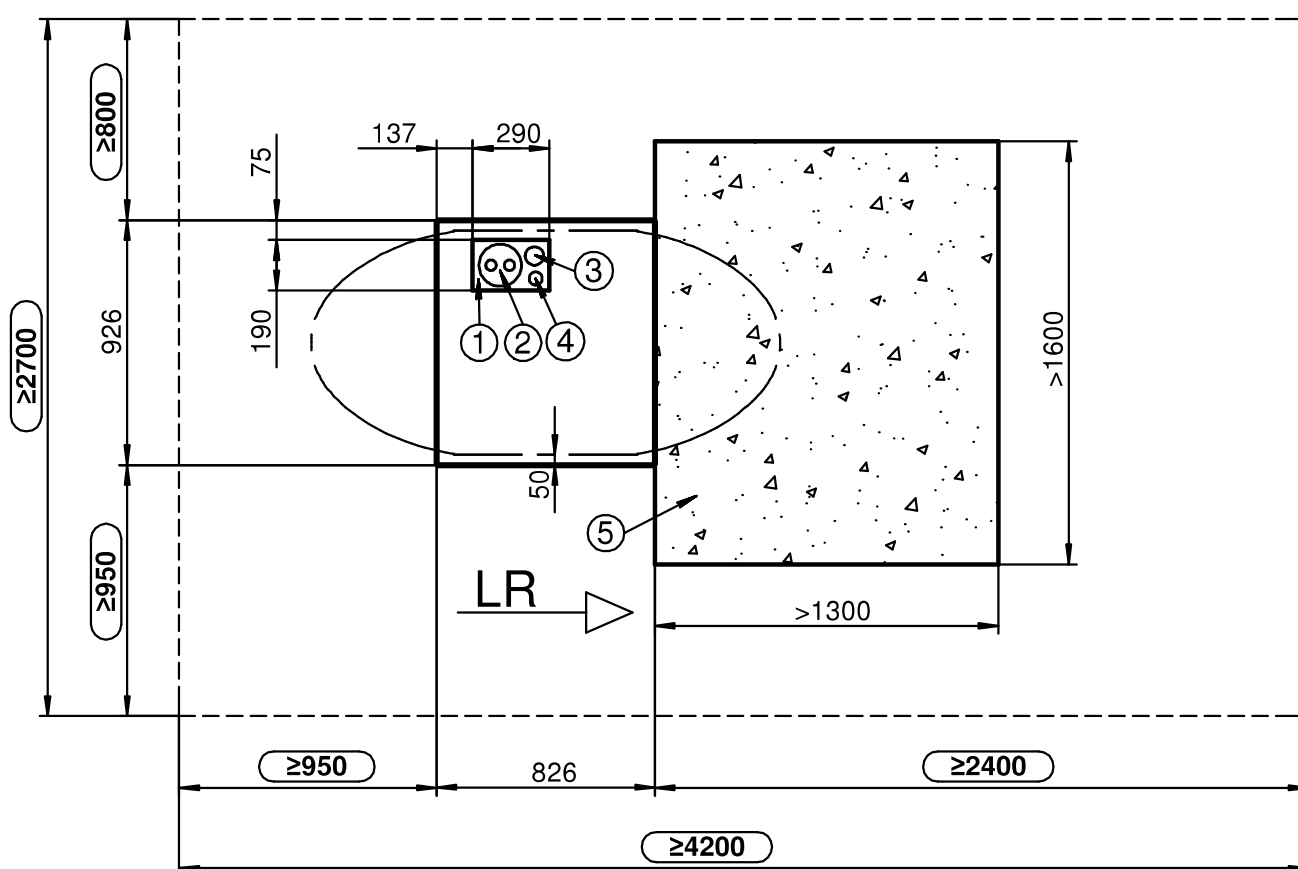
Installation plan

LW 90A/RX...

A



C



Legend: UK819280d

All dimensions in mm.

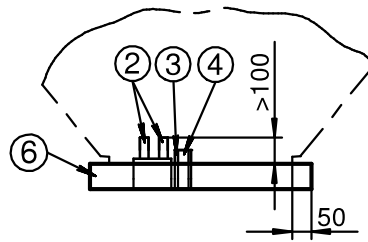
- A Front view
- C Top view
- ≥ ... Minimum clearances
- 1 Recess in base
- 2 Local heat pipe for heating water forward/return flow
- 3 Empty pipe for electric cables, minimum diameter 70mm
- 4 Condensate discharge, minimum diameter 50mm
- 5 water-permeable surface (gravel, ...) in the air outlet area
- 6 Base
- LR Air direction



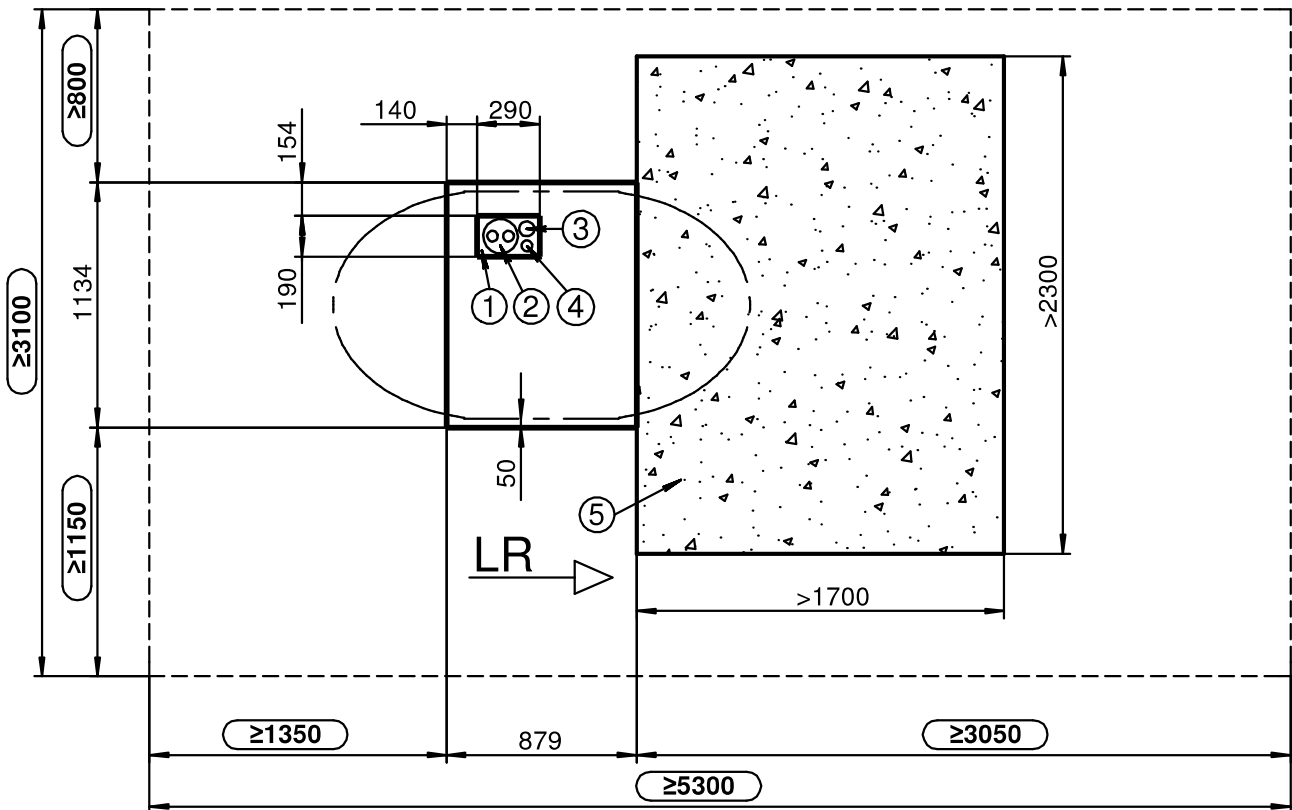
LW 140A/RX

Installation plan

A



C



Legend: UK819293d

All dimensions in mm.

- A Front view
- C Top view
- ≥ ... Minimum clearances
- 1 Recess in base
- 2 Local heat pipe for heating water forward/return flow
- 3 Empty pipe for electric cables, minimum diameter 70mm
- 4 Condensate discharge, minimum diameter 50mm
- 5 water-permeable surface (gravel, ...) in the air outlet area
- 6 Base
- LR Air direction