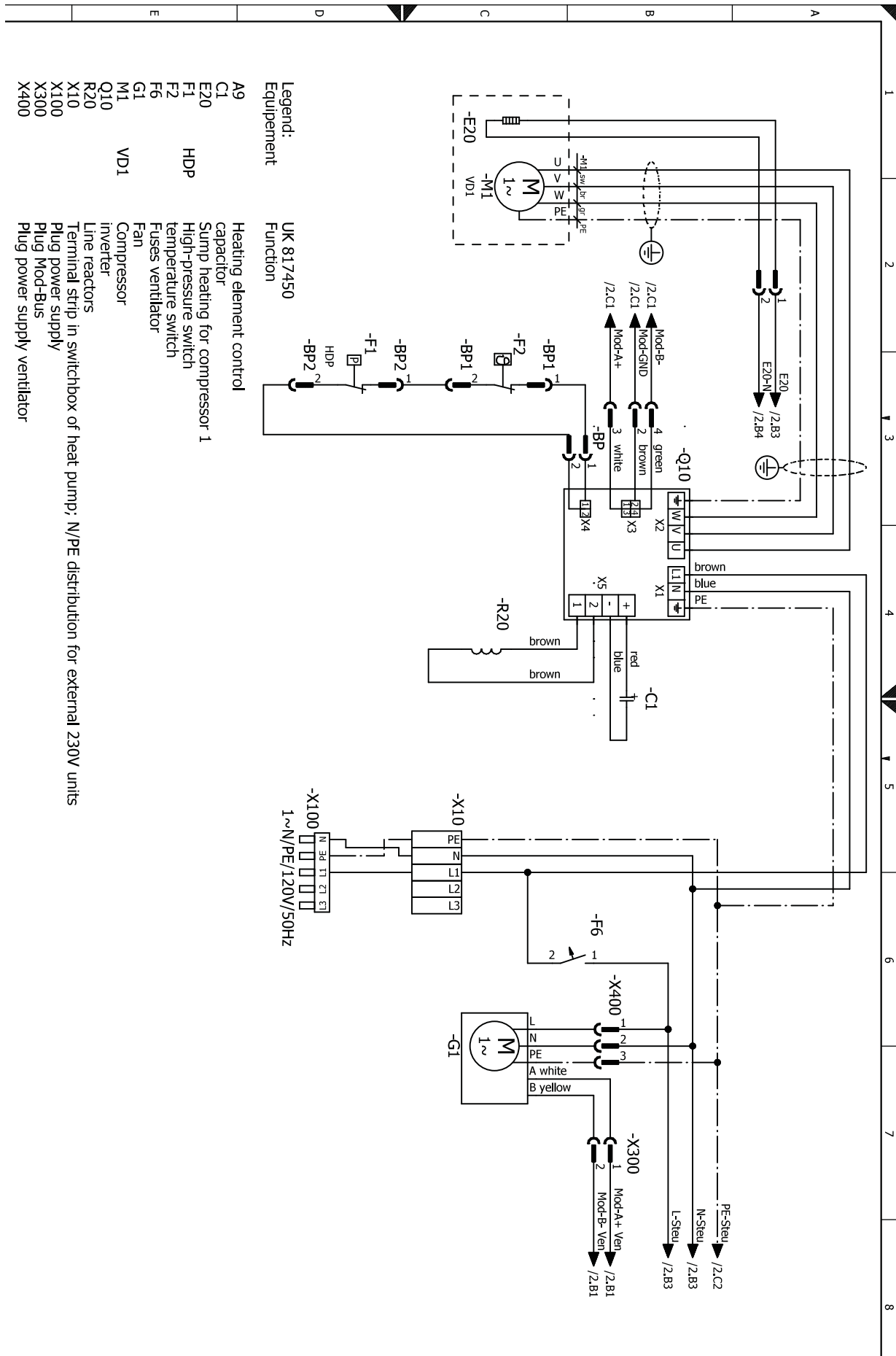




LWAV 82R1/3

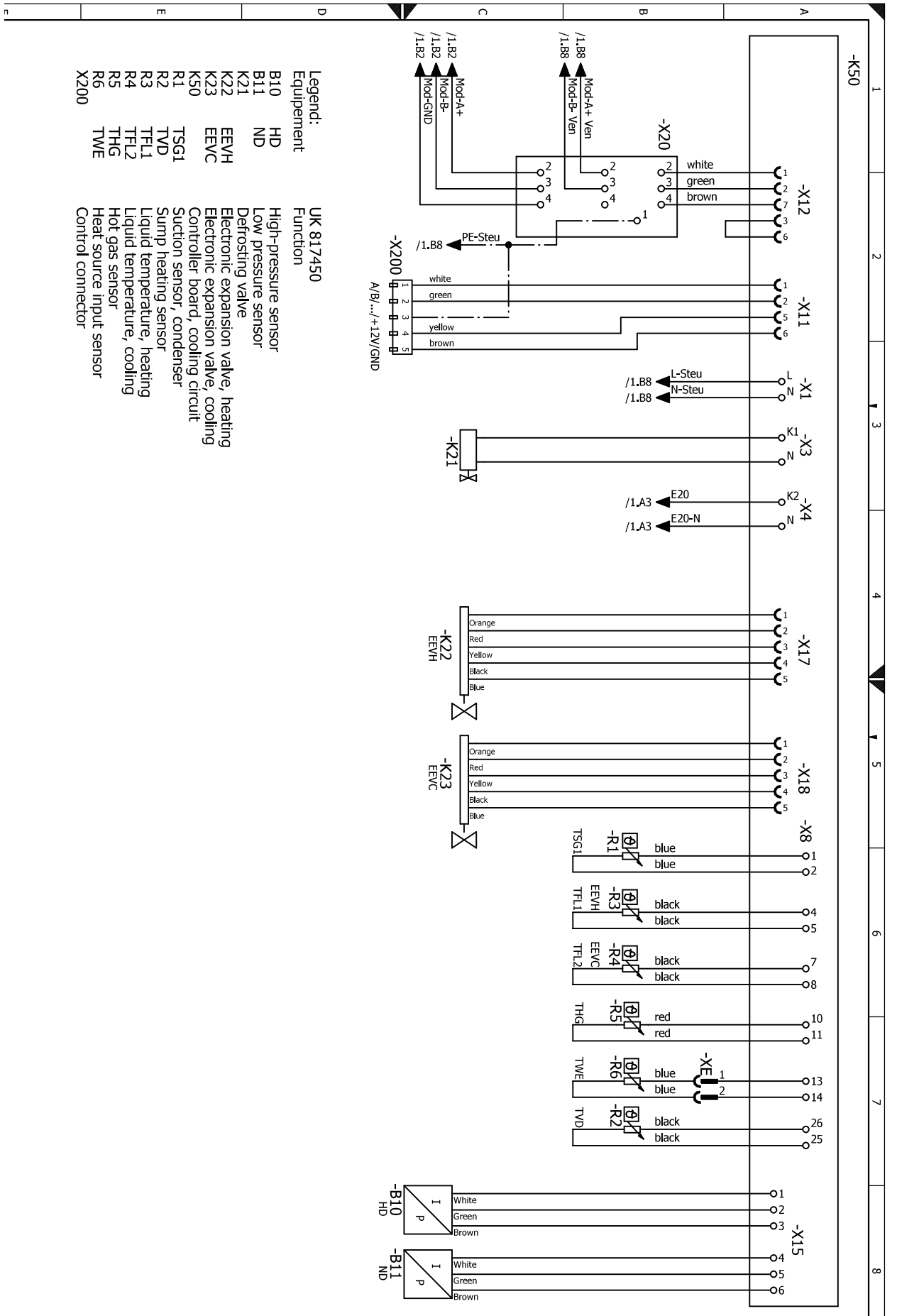
Circuit diagram 1/2





LWAV 82R1/3

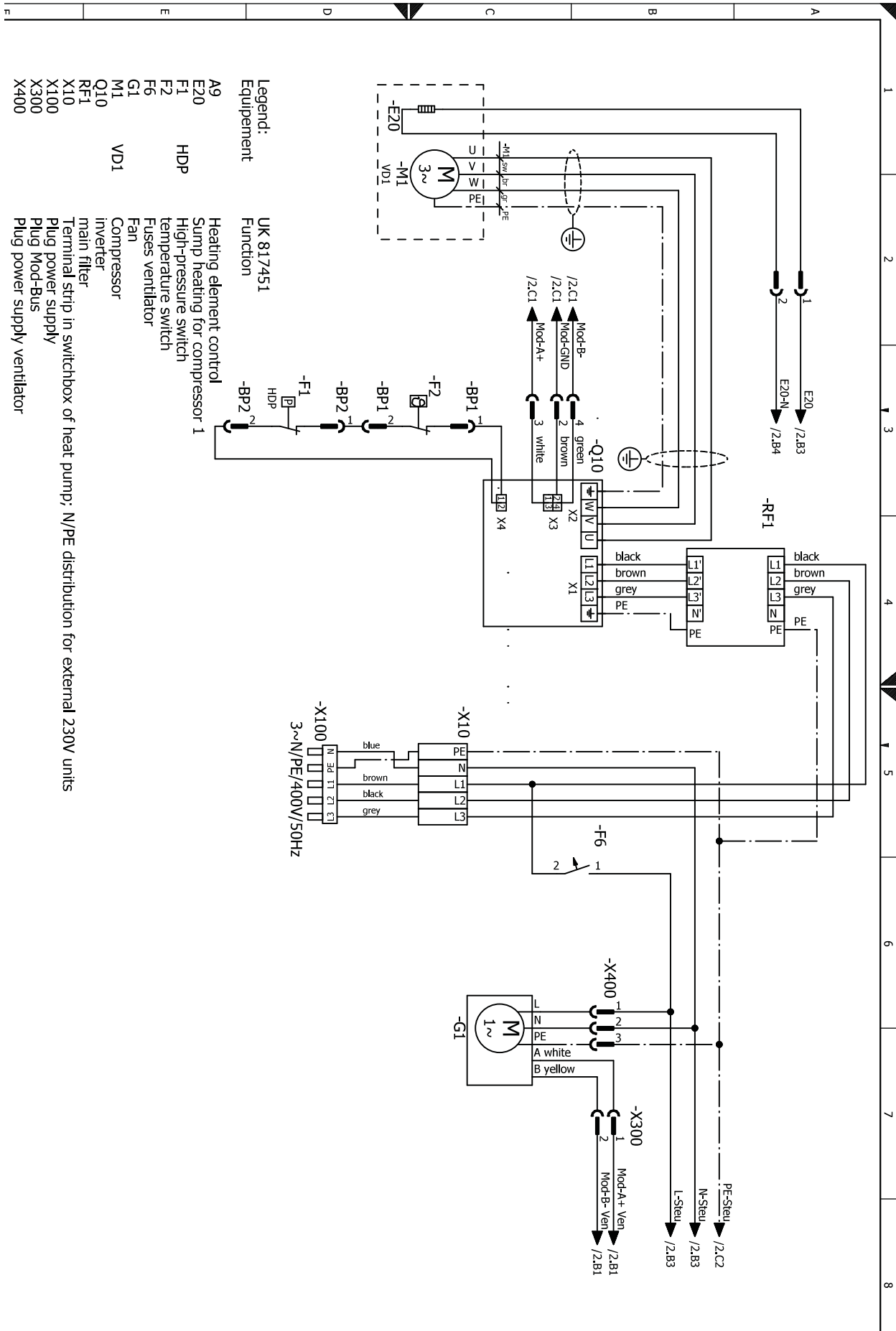
Circuit diagram 2/2





LWAV 122R3

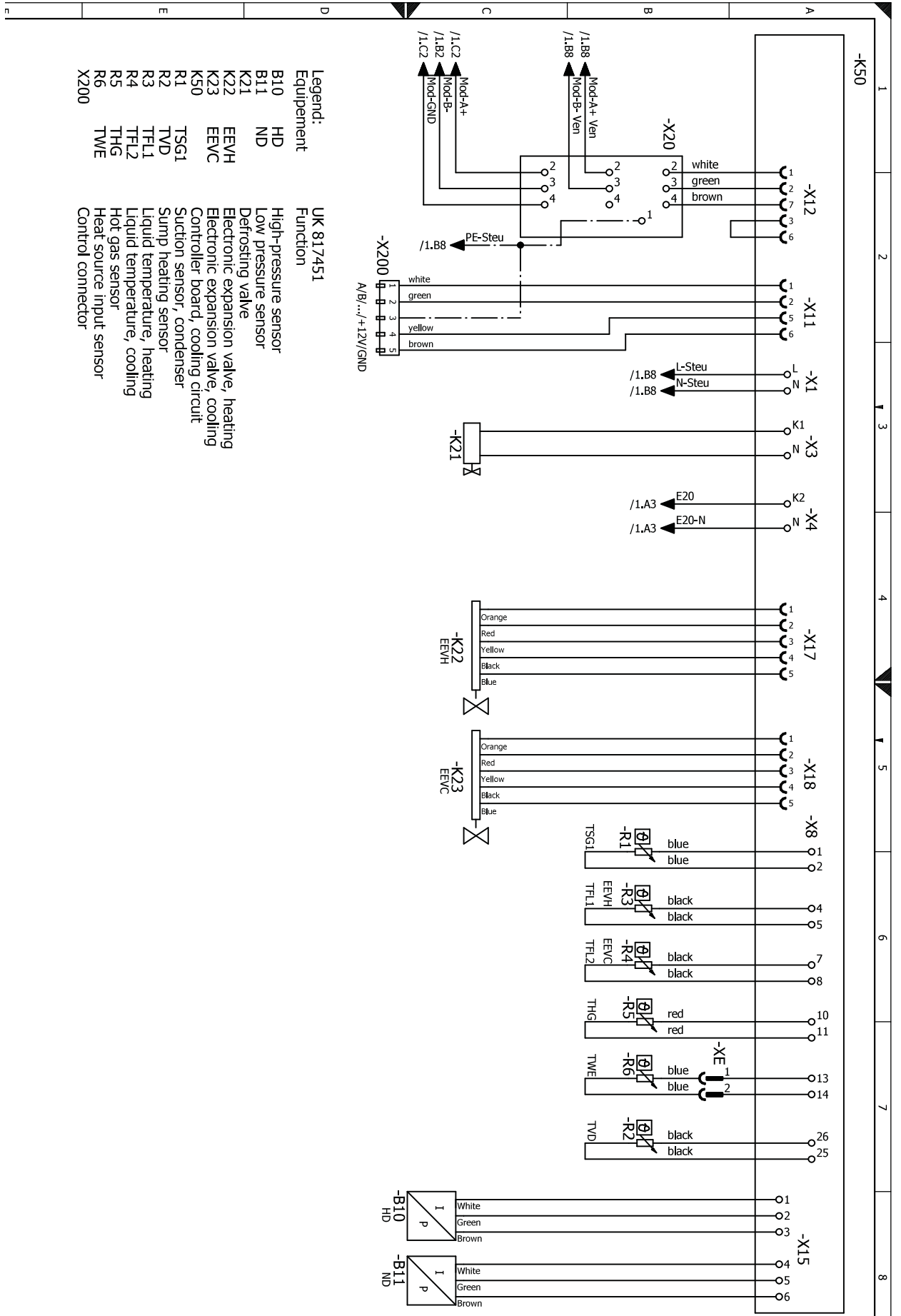
Circuit diagram 1/2





LWAV 122R3

Circuit diagram 2/2



Equipment	UK 817451	Function
B10	HD	High-pressure sensor
B11	ND	Low pressure sensor
K21		Defrosting valve
K22	EEVH	Electronic expansion valve, heating
K23	EEVC	Electronic expansion valve, cooling
K50		Controller board, cooling circuit
R1	TSG1	Suction sensor, condenser
R2	TVD	Sump heating sensor
R3	TF-L1	Liquid temperature, heating
R4	TF-L2	Liquid temperature, cooling
R5	THG	Hot gas sensor
R6	TWE	Heat source input sensor
X200		Control connector