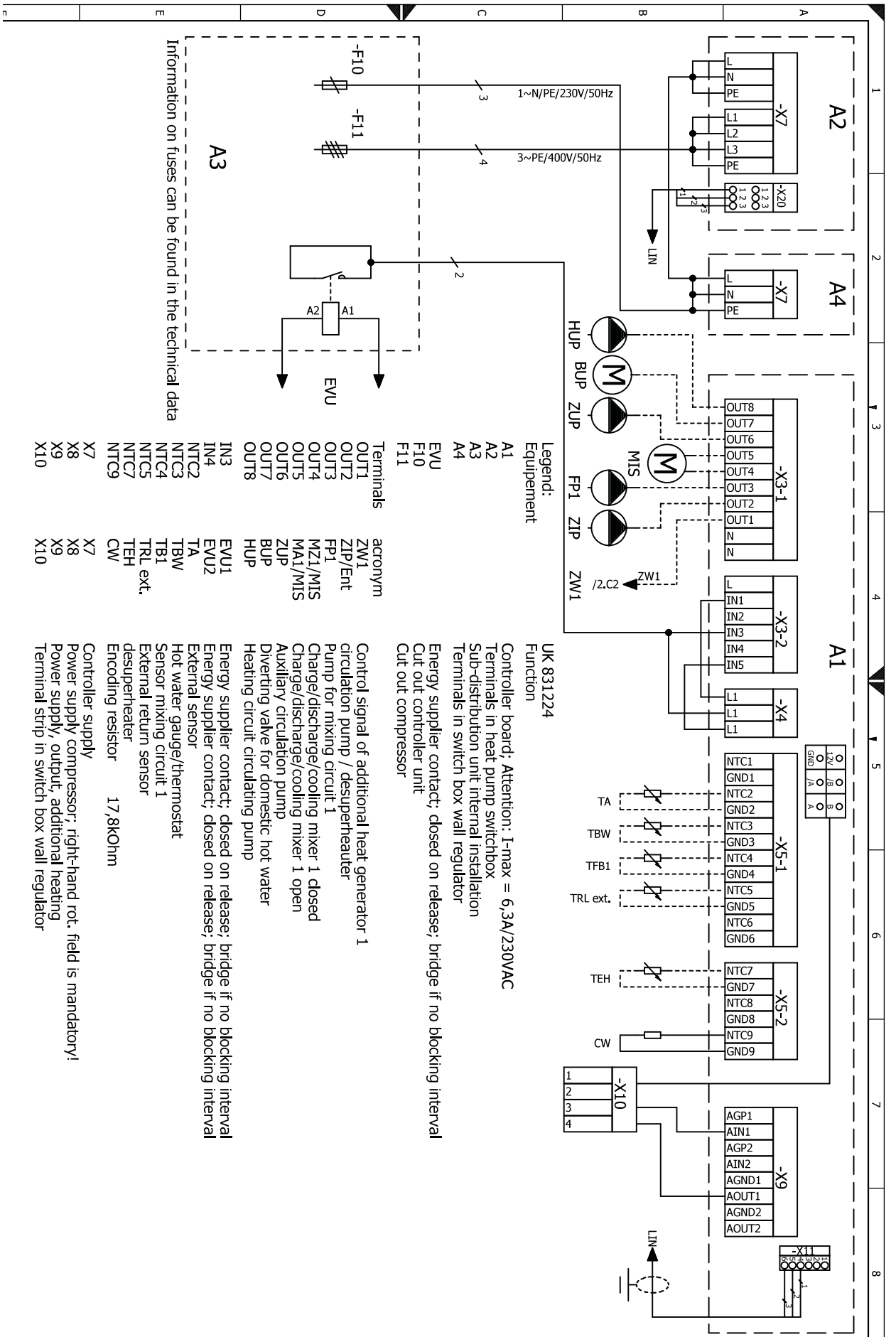




Terminal diagram 1/2

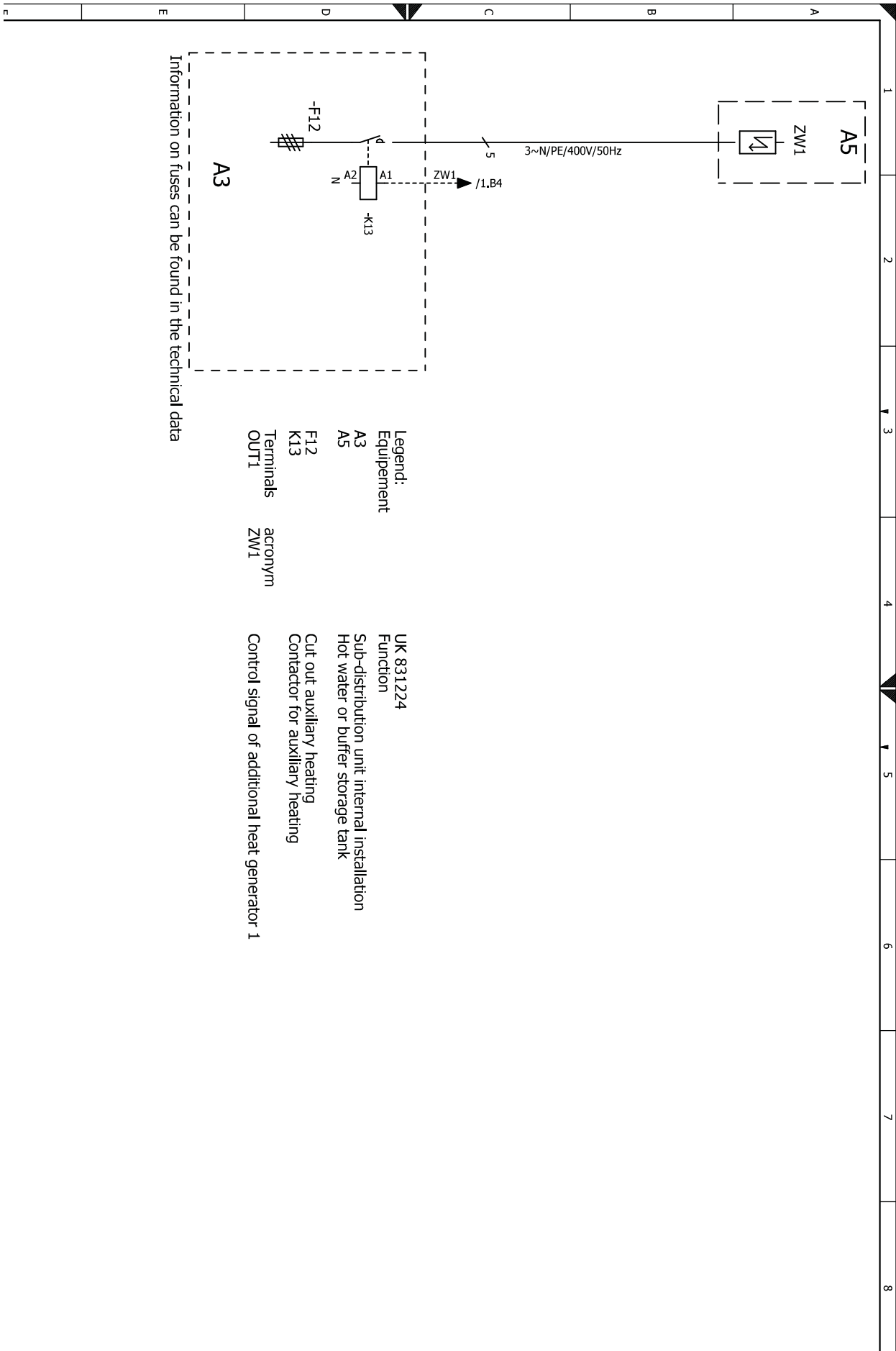
Wall-mounted controller





Terminal diagram 2/2

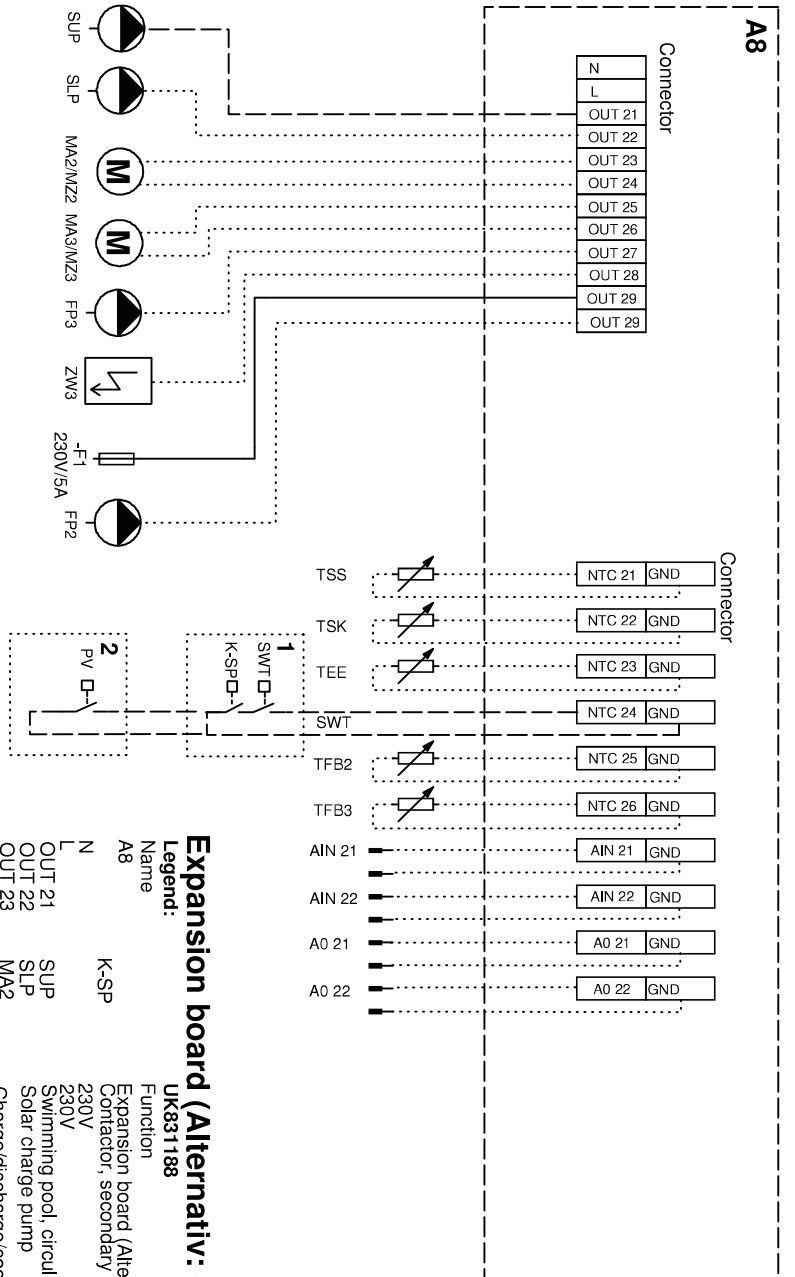
Wall-mounted controller





Terminal diagram

Expansion board



Expansion board (Alternativ: expansion card)

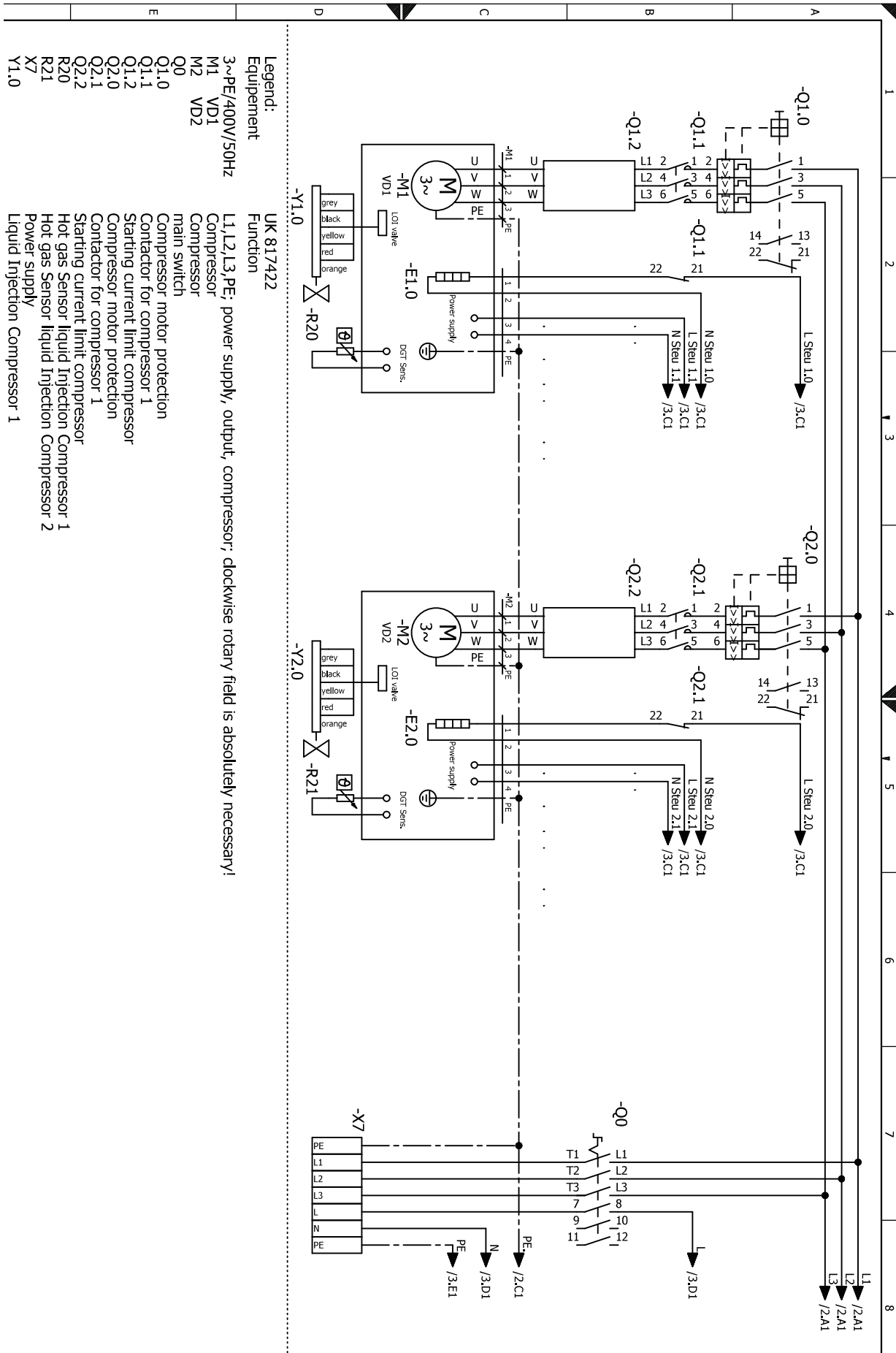
UK831188

| Name | Function |
|--------|--|
| A8 | Expansion board (Alternativ: expansion card) |
| N | Contractor, secondary pump |
| L | 230V |
| OUT 21 | Swimming pool, circulating pump |
| OUT 22 | Solar charge pump |
| OUT 23 | Charge/discharge/cooling mixer |
| OUT 24 | Charge/discharge/cooling mixer |
| OUT 25 | Pump for mixing circuit 3 |
| OUT 26 | Control signal, additional heat generator 3 |
| OUT 27 | Back-up fuse, mixing circuit 2 pump, max. 230V 5A floating contact |
| OUT 28 | Pump, mixing circuit 2, dry contact |
| OUT 29 | |
| SUP | Sensor solar tank |
| SLP | Sensor solar collector |
| MA2 | Sensor, external energy source |
| MZ2 | Swimming pool, thermostat |
| MA3 | Photovoltaic function, contact, inverter |
| MZ3 | Sensor mixing circuit 2 |
| FP3 | Sensor mixing circuit 3 |
| ZWS | Sensor mixing circuit 3 |
| -F1 | Analog input 1 0-10V / 0-20 mA |
| FP2 | Analog input 2 0-10V / 0-20 mA |
| | analogue output 1 0-10V |
| | analogue output 2 0-10V |
| TSS | Sensor solar tank |
| TSK | Sensor solar collector |
| TEE | Sensor, external energy source |
| 1 SWT | Swimming pool, thermostat |
| 2 PV | Photovoltaic function, contact, inverter |
| TFB2 | Sensor mixing circuit 2 |
| TFB3 | Sensor mixing circuit 3 |
| AIN 21 | Analog input 1 0-10V / 0-20 mA |
| AIN 22 | Analog input 2 0-10V / 0-20 mA |
| A0 21 | analogue output 1 0-10V |
| A0 22 | analogue output 2 0-10V |



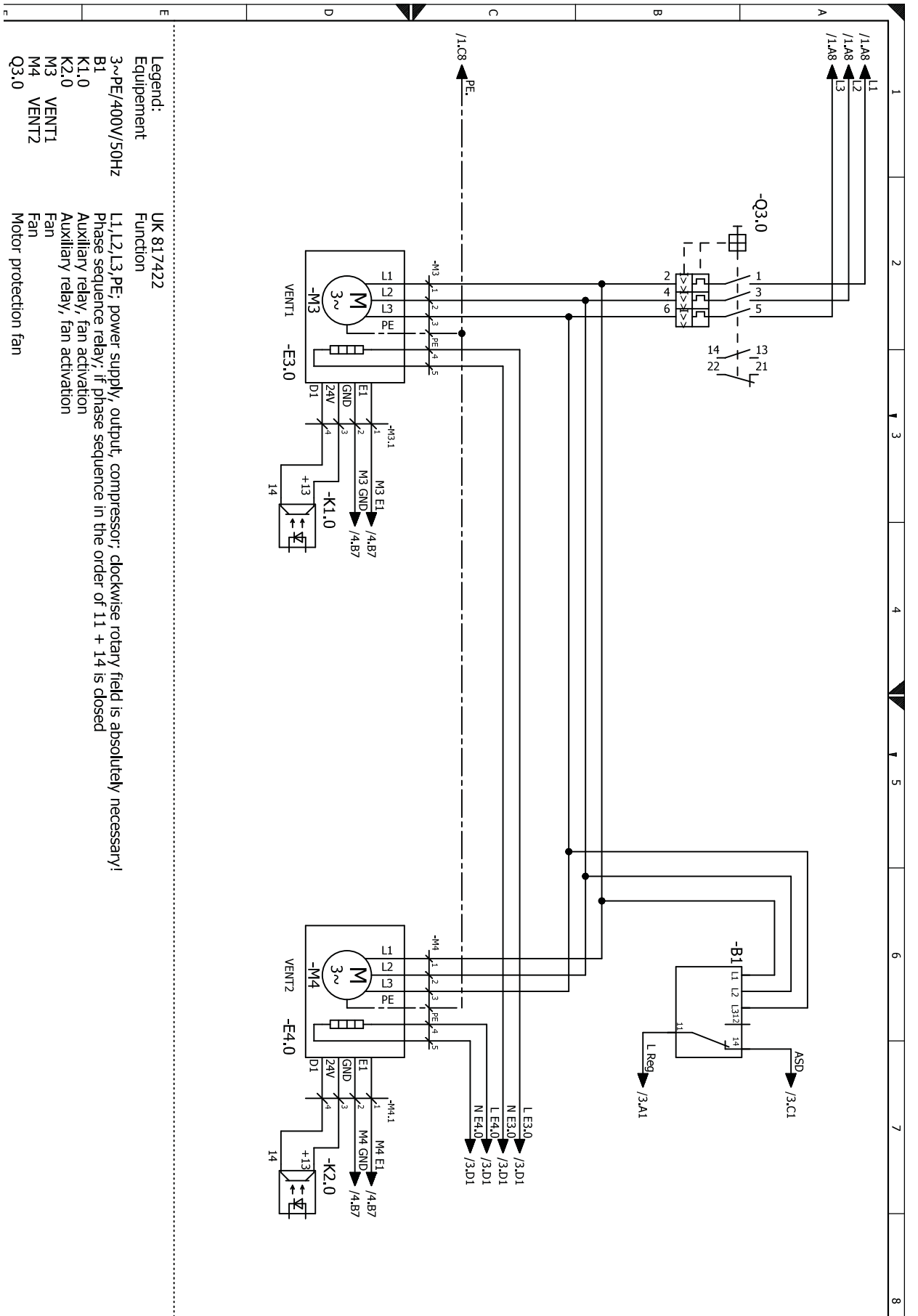
LWP

Circuit diagram 1/4





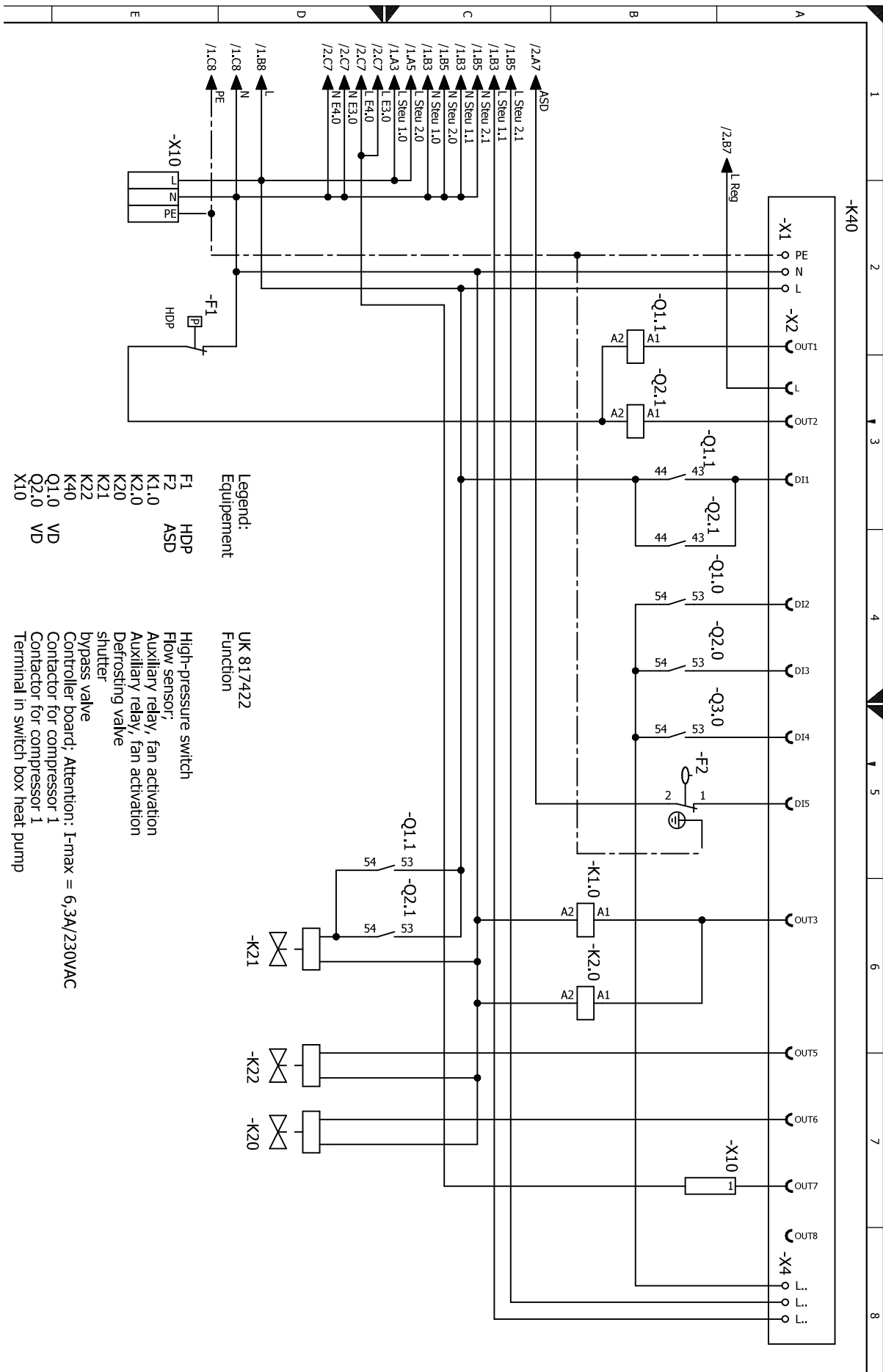
Circuit diagram 2/4





Circuit diagram 3/4

LWP



- Legend:**
- | | |
|------|---|
| F1 | HDP |
| F2 | ASD |
| K1.0 | UK 81/422 |
| K2.0 | Function |
| K20 | High-pressure switch |
| K21 | Flow sensor; |
| K22 | Auxiliary relay, fan activation |
| K40 | Auxiliary relay, fan activation |
| O1.0 | Defrosting valve |
| Q1.0 | shutter |
| Q2.0 | bypass valve |
| X10 | Contoller board; Attention: I-max = 6,3A/230VAC |
| | Contactor for compressor 1 |
| | Contactor for compressor 1 |
| | Terminal in switch box heat pump |



Circuit diagram 4/4

