

INDIRECT WATER HEATERS WITH THE MAXIMUM SIZE SPIRAL COIL FOR HEAT PUMPS

TYPE SGW(S) MAXIMUS, SGW(S) MAXI, SGW(S)B MAXI PLUS

Technical specification of the SGW(S) Maximus / SGW(S) Maxi

specification	unit	Maximus		SGW(S) Maxi					
		300	250	300	400	500	700	1000	
storage capacity ¹	l	257	236	284	376	471	657	973	
ErP polyurethane foam	-	B	B	B	C	B	C	C	
tank's maximum working pressure	MPa	1,0	1,0	1,0	1,0	1,0	1,0	1,0	
coil's maximum working pressure	MPa	1,6	1,6	1,6	1,6	1,6	1,6	1,6	
tank's maximum working temperature	°C	95	95	95	95	95	95	95	
coil's maximum working temperature	°C	110	110	110	110	110	110	110	
coil's surface	m ²	3,8	3,0	3,8	5,0	6,0	6,5	6,5	
coil's capacity	l	26,5	20,9	26,5	34,9	41,9	45,4	45,4	
coil's power (80/10/45°C)	kW	91	71,5	91	108	114	138	138	
coil's power (80/10/60°C)	kW	77,5	61	77,5	89	99	108	108	
efficiency (80/10/60°C)	l/h	1363	1072	1363	1460	1724	1894	1886	
heat pump coil's power (50/10/45°C)	kW	28	22	28	37	39	40	40	
demand for heating water from CH boiler	m ³ /h	3,0	3,0	3,0	3,0	3,0	3,0	3,0	
magnesium top cover plug ³	mm	38x600	38x600	38x600	38x600	38x600	38x600	38x600	
anode insp. hole M8 screw	mm	38x200	38x200	38x200	38x200	38x400	38x400	38x400	
h1 - cold water inflow (int. thread)	" / mm	1/130	1/130	1/130	1/150	1/180	6/4/215	6/4/245	
h2 - CH water outflow (int. thread)	" / mm	5/4/215	5/4/215	5/4/215	5/4/235	5/4/265	5/4/395	5/4/445	
h3 - sensor cover (Ø)	" / mm	3/8/550	3/8/385	3/8/550	3/8/560	3/8/610	3/8/755	3/8/745	
crk - circulation (int. thread)	" / mm	3/4/770	3/4/770	3/4/770	3/4/840	3/4/870	5/4/1175	5/4/1075	
h4 - CH hot water inflow (int. thread)	" / mm	5/4/1035	5/4/895	5/4/1035	5/4/1285	5/4/1415	5/4/1355	5/4/1195	
h5 - DHW outflow (int. thread)	" / mm	1/1240	1/1080	1/1355	1/1475	1/1650	6/4/1715	6/4/1575	
d - internal diameter	mm	550	550	550	600	630	700	900	
D - external diameter	mm	-	670	670	700	755	855	1055	
L - height	mm	-	1300	1615	1750	1950	2050	1960	
dimensions of the Maximus water heater	height	mm	1550	-	-	-	-	-	
	depth	mm	770	-	-	-	-	-	
	width	mm	670	-	-	-	-	-	
height when tilted	mm	-	-	-	-	-	2220	2230	
net weight (polyurethane foam)	kg	180	160	185	227	261	350	530	

Technical specification of the SGW(S)B Maxi Plus (bivalent)

specification	unit	SGW(S)B Maxi Plus		
		300	400	500
storage capacity ¹	l	293	373	465
ErP polyurethane foam	-	B	C	B
tank's maximum working pressure	MPa	1,0	1,0	1,0
coil's maximum working pressure	MPa	1,6	1,6	1,6
tank's maximum working temperature	°C	95	95	95
coil's maximum working temperature	°C	110	110	110
solar collector / heat pump coil's surface	m ²	1,0 / 2,2	1,5 / 3,8	1,8 / 4,8
solar collector / heat pump coil's capacity	l	7,0 / 15,4	10,5 / 26,5	12,6 / 33,5
solar collector coil's power (80/10/45°C)	kW	26	34	38
heat pump coil's power (50/10/45°C)	kW	22,5	28,5	35
demand for heating water from CH boiler	m ³ /h	1,6 / 1,6	1,9 / 1,9	1,9 / 1,9
magnesium top cover 5/4" plug ³	mm	38x600	38x600	38x600
anode insp. hole M8 screw	mm	38x200	38x200	38x400
h1 - cold water inflow (int. thread)	" / mm	1 / 130	1 / 160	1 / 180
h2 - water outflow to solar coil (int. thread)	" / mm	5/4 / 215	5/4 / 245	5/4 / 265
h3 - sensor cover I (Ø)	" / mm	3/8 / 335	3/8 / 425	3/8 / 410
h4 - hot water inflow from solar collector (int. thread)	" / mm	5/4 / 495	5/4 / 565	5/4 / 645
h5 - CH water outflow (int. thread)	" / mm	5/4 / 615	5/4 / 675	5/4 / 755
h6 - sensor cover II (Ø)	" / mm	3/8 / 835	3/8 / 835	3/8 / 960
h7 - circulation (int. thread)	" / mm	3/4 / 935	3/4 / 955	3/4 / 1265
h8 - CH hot water inflow (int. thread)	" / mm	5/4 / 1095	5/4 / 1405	5/4 / 1645
h9 - DHW outflow (int. thread)	" / mm	1 / 1355	1 / 1560	1 / 1730
d - internal diameter	mm	550	600	630
D - external diameter	mm	670	700	755
L - height	mm	1615	1750	1950
net weight	kg	165	217	281

¹ According to the (EU) 812/2013, 814/2013.

³ For types up to 500 since 01.08.2013 - magnesium anode plug 5/4", for types above 500 - 2" plug.

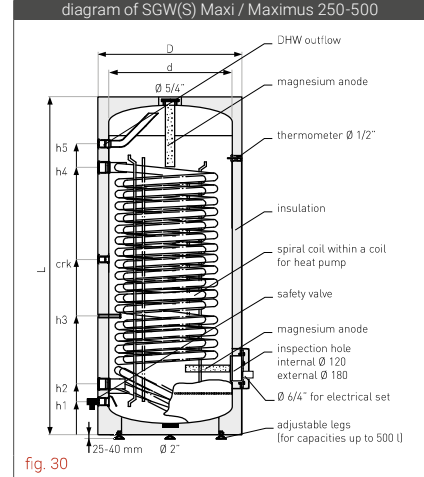


fig. 30

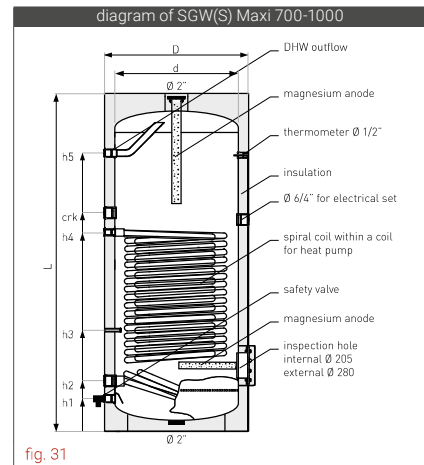


fig. 31

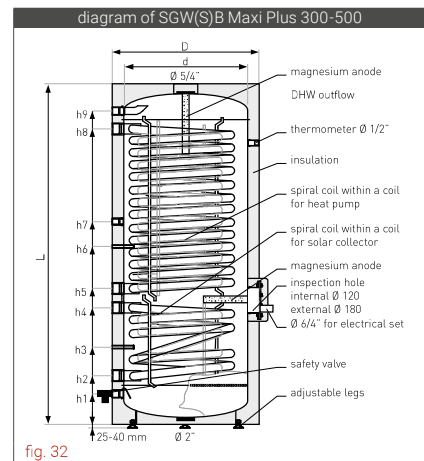


fig. 32

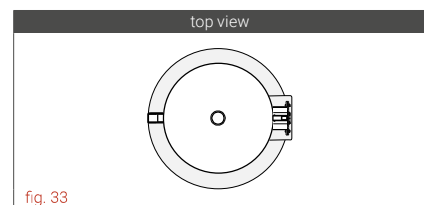


fig. 33



SGW(S) Maxi

cat. no.	type	description
26-258100	250	
26-308100N	300	
26-408100N	400	maximum size spiral coil, polyurethane foam, artificial leather / PVC film, EXTRA GLASS® ceramic enamel, magnesium anode
26-504100N	500	
26-704100N	700	
36-104100N	1000	

For SGW(S) Maxi water heaters we recommend using a maintenance-free active titanium anode connected to the power outlet:

- for types up to 250 (small titanium anode).
- for types between 300 and 500 (large single titanium anode).
- for types between 700 and 1000 (large dual titanium anode).

SGW(S) Maximus (dedicated for the Maxima heat pumps)

cat. no.	type	description
26-308870	300	with the maximum size spiral coil, polyurethane foam, metal housing, electric heater, EXTRA GLASS® ceramic enamel, titanium anode

SGW(S)B Maxi Plus

cat. no.	type	description
26-309100N	300	two maximum size spiral coils, polyurethane foam, artificial leather / PVC film, EXTRA GLASS® ceramic enamel, magnesium anode
26-409100N	400	
26-509100N	500	

Water heaters for central heating systems and solar collectors.

For SGW(S)B Maxi Plus water heaters we recommend using a maintenance-free active titanium anode connected to the power outlet:

- for types up to 300 (small titanium anode).
- for types between 400 and 500 (large single titanium anode).

Advantages of the SGW(S) Maxi and Maxi Plus

- ▶ SGW(S) Maxi - maximum size spiral coil dedicated to heat pumps.
- ▶ SGW(S) Maxi Plus - two maximum size spiral coils (ability to connect several heat sources, f.ex. heat pump, solar collectors, CH boiler).
- ▶ Ability to install an electrical set - option.
- ▶ Thermometer in standard.
- ▶ Highest quality EXTRA GLASS® ceramic enamel.
- ▶ Additional protection with magnesium anode.

Electrical sets for self-assembly

cat. no.	description
41-020011	electrical set with heater 2 kW 230 V - K6/4" (I)
41-030011	electrical set with heater 3 kW 230 V - K6/4" (I)
41-045010	electrical set with heater 4,5 kW 400 V - K6/4"
41-060010	electrical set with heater 6 kW 400 V - K6/4"
41-090010	electrical set with heater 9 kW 400 V - K6/4"
41-120010	electrical set with heater 12 kW 400 V - K6/4"
41-045015	electrical set with heater 4,5 kW 400 V - K6/4" Elektronik
41-060015	electrical set with heater 6 kW 400 V - K6/4" Elektronik

We recommend using Galmet's electrical sets for our water heaters.

Both Maxi and Maxi Plus water heaters are equipped with a **maximum size heat exchanger**, the so-called „coil within a coil” - a bent tube in two diameters, a larger one and a smaller one inside the first one.

* Details in the warranty card.

Standard colour of the metal jacket - white; artificial leather / PVC film - grey.
Available housing colours and special equipment - page 38.



pic. 29
SGW(S) Maxi

pic. 30
SGW(S) Maximus



pic. 31
SGW(S)B Maxi Plus

pic. 32
maximum size
spiral coils
bent in two diameters



pic. 33
Electrical sets