

WATER HEATERS FOR GAS BOILERS

TYPE SGW(S) RONDO PREMIUM, SG(S) FUSION

WATER HEATERS FOR GAS BOILERS

Technical specification of the SGW(S) Rondo Premium

specification	unit	Rondo Premium	
		120	140
storage capacity ¹	l	123	139
ErP energy efficiency class	-	A	A
tank's maximum working pressure	MPa	1,0	1,0
coil's maximum working pressure	MPa	1,6	1,6
tank's maximum working temperature	°C	95	95
coil's maximum working temperature	°C	110	110
coil's surface	m ²	1,2	1,2
coil's capacity	l	8	8
coil's power (70/10/45°C)	kW	29	29
efficiency	l/h	700	700
magnesium anode top cover 5/4" plug	mm	38x400	38x400
cold water inflow (int. thread)	"	1	1
DHW outflow (int. thread)	"	1	1
circulation (int. thread)	"	1	1
CH circuit (int. thread)	"	1	1
connection for an electrical set GE (int. thread)	"	5/4	5/4
sensor cover (internal Ø 8 mm)	"	1/2	1/2
thermometer (int. thread)	"	1/2	1/2
water drain (int. thread)	"	1	1
D - external diameter	mm	660	660
L - height	mm	910	1005
net weight	kg	75	81

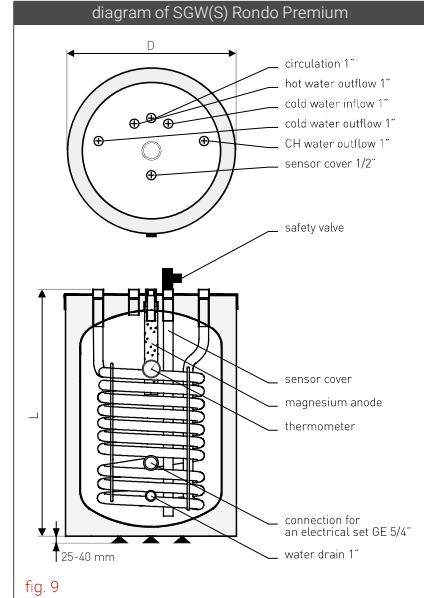


fig. 9

Technical specification of the SG(S) Fusion

specification	unit	SG(S) Fusion 100	
storage capacity ¹	l	104	
ErP energy efficiency class	-	C	
tank's maximum working pressure	MPa	1,0	
tank's maximum working temperature	°C	95	
range of working temperatures	°C	8-77	
constant delivery of DHW Δt=30K	l/h (kW)	660 (24)	774 (28)
estimated time to warm up the water Δt=45K ²	min (kW)	20 (24)	16 (28)
magnesium anode top cover 5/4" plug	mm	25x390	
cold water inflow (ext. thread)	"	3/4	
DHW outflow (ext. thread)	"	3/4	
circulation (ext. thread)	"	3/4	
cold water outflow / hot water inflow (ext. thread)	"	3/4	
connection for an electrical set GE (int. thread)	"	5/4	
sensor cover (internal Ø 8 mm)	"	1/2	
thermometer (int. thread)	"	1/2	
water drain (int. thread)	"	1	
D - external diameter	mm	600	
L - height	mm	900	
net weight	kg	54	

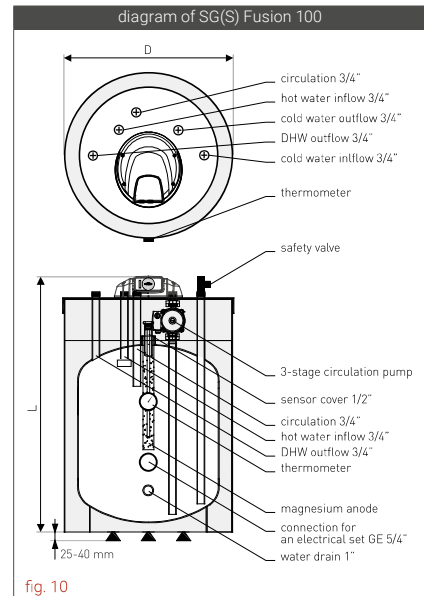


fig. 10

* Details in the warranty card.
¹ According to the (EU) 812/2013, 814/2013.
² Nominal power for DHW output of the boiler.



SGW(S) Rondo Premium

cat. no.	type	description
26-127500	120	spiral coil, polyurethane foam, metal casing, EXTRA GLASS® ceramic enamel, magnesium anode
26-147500	140	

Advantages of the SGW(S) Rondo Premium

- ▶ Energy efficiency class - A.
- ▶ All connections in the top cover.
- ▶ Faster heating of water thanks to the large surface area of the spiral coil.
- ▶ Works with every type of boiler: oil, gas, coal etc.
- ▶ Ability to install an electrical set.
- ▶ Thermometer in standard.
- ▶ Up to 50% longer service time thanks to the RESIST-TECH® protection.
- ▶ Highest quality EXTRA GLASS® ceramic enamel.
- ▶ Additional protection with magnesium anode.



pic. 15
SGW(S) Rondo Premium

▶ The SGW(S) Rondo Premium tank is designed to operate with every type of boiler: in particular with wall-hanging single function gas boilers. Enlarged spiral coil ensure **fast water heating**, and energy efficiency class A guarantees **economic work and gas savings**.

SG(S) Fusion

cat. no.	type	description
22-107500	100	layered, polyurethane foam, metal casing, EXTRA GLASS® ceramic enamel, charging pump, thermostat, magnesium anode

Advantages of the SG(S) Fusion

- ▶ Perfect fusion with your dual function gas boiler.
- ▶ Maximum utilization of the water that is stored in layers.
- ▶ Savings on gas with small water consumption.
- ▶ Short heating time.
- ▶ 3-stage circulation pump with adjustable output - built-in the tank.
- ▶ All connections in the top cover.
- ▶ Ability to install an electrical set.
- ▶ Thermometer in standard.
- ▶ Small dimensions.



pic. 16
SG(S) Fusion

▶ The SG(S) Fusion is designed for operation with a dual function gas boiler and storage of domestic hot water. Thanks to its **layered water distribution**, small water consumption does not start the boiler too often. This prolongs its life and allows the user to save gas.

* Details in the warranty card.

Standard colour of the metal jacket - white; artificial leather / PVC film - grey.
Available housing colours and special equipment - page 38.