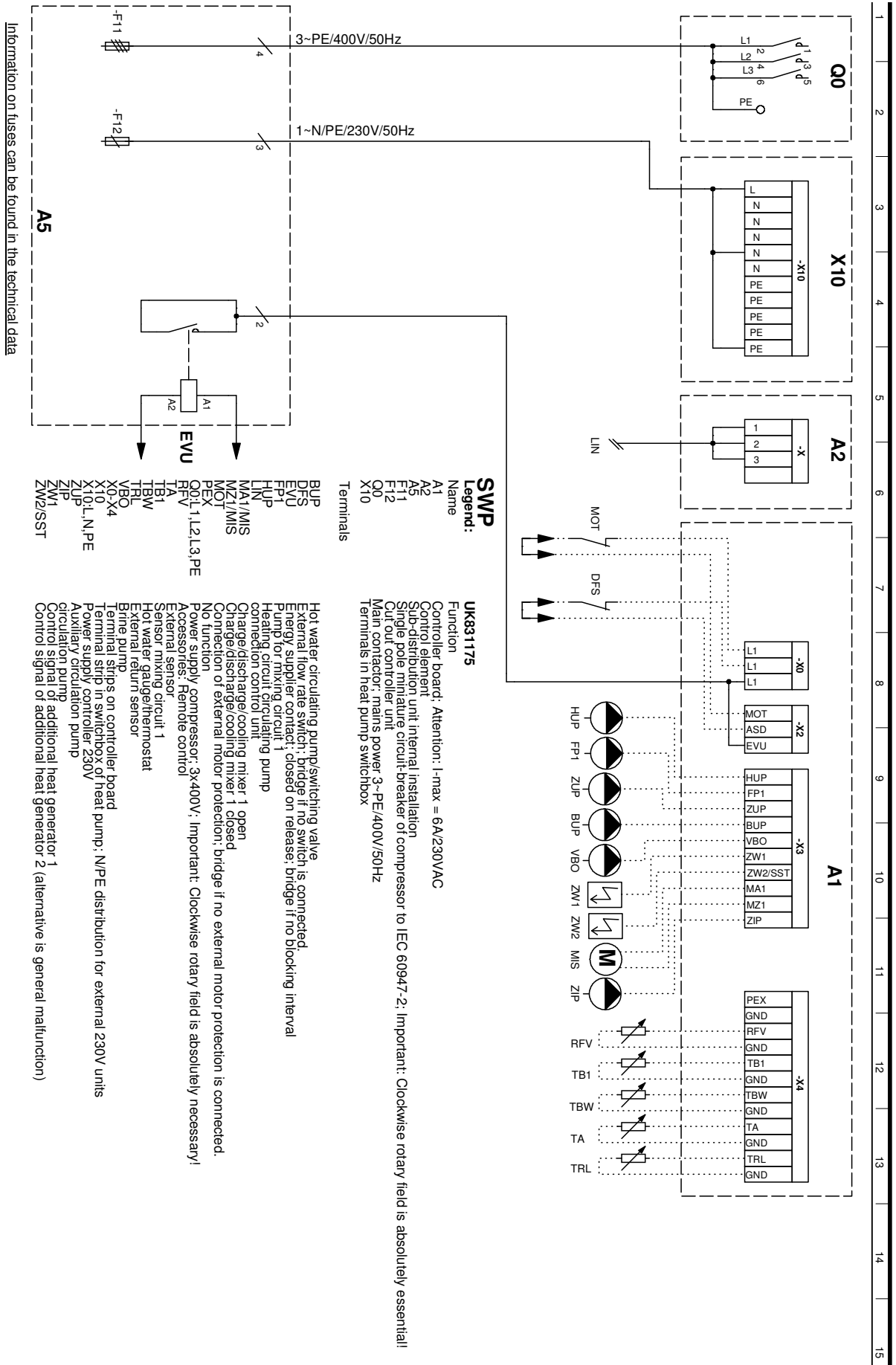




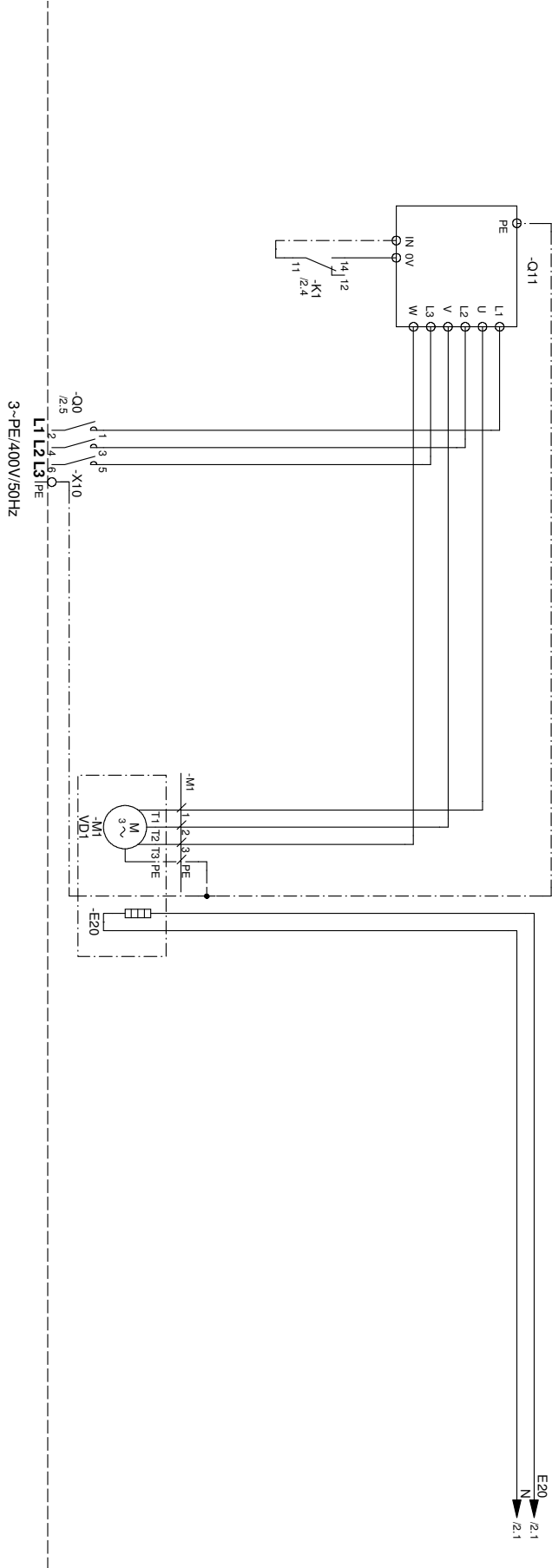
SWP 371 – 691 / SWP 291H – 561H

Terminal diagram





Circuit diagram 1/3

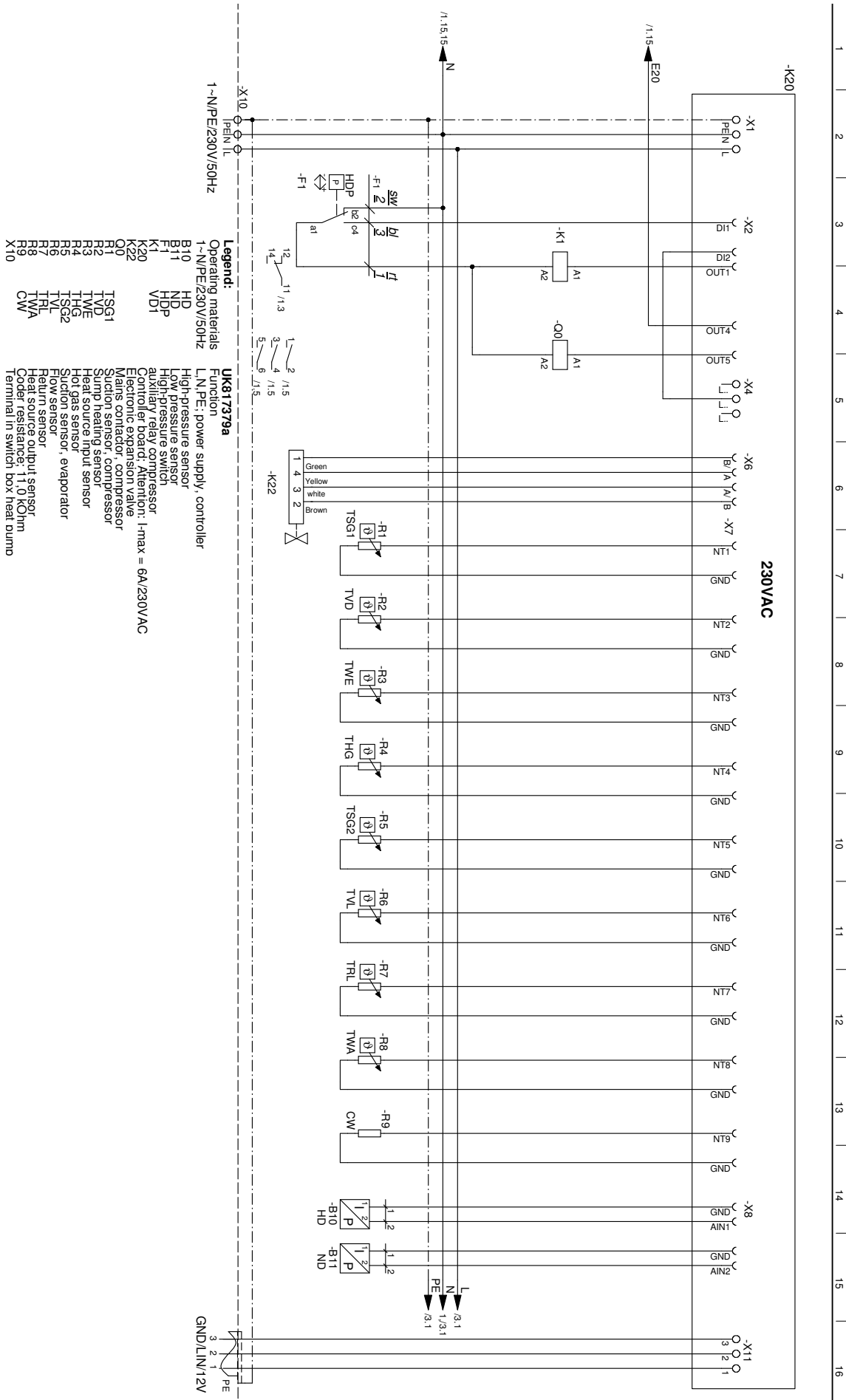


- Legend:**
UK817379a
 Function
 L1, L2, L3, PE: power supply, output; compressor; dockwise rotary field is absolutely necessary!
 Sump heating for compressor 1
 compressor
 auxiliary relay compressor
 Mains contactor, compressor
 Starting current limit compressor
 Terminal in switch box heat pump
- E20** M1 VD1
M1 VD1
K1 VD1
Q0 VD1
Q11 VD1
X10 VD1



SWP 371 / SWP 451

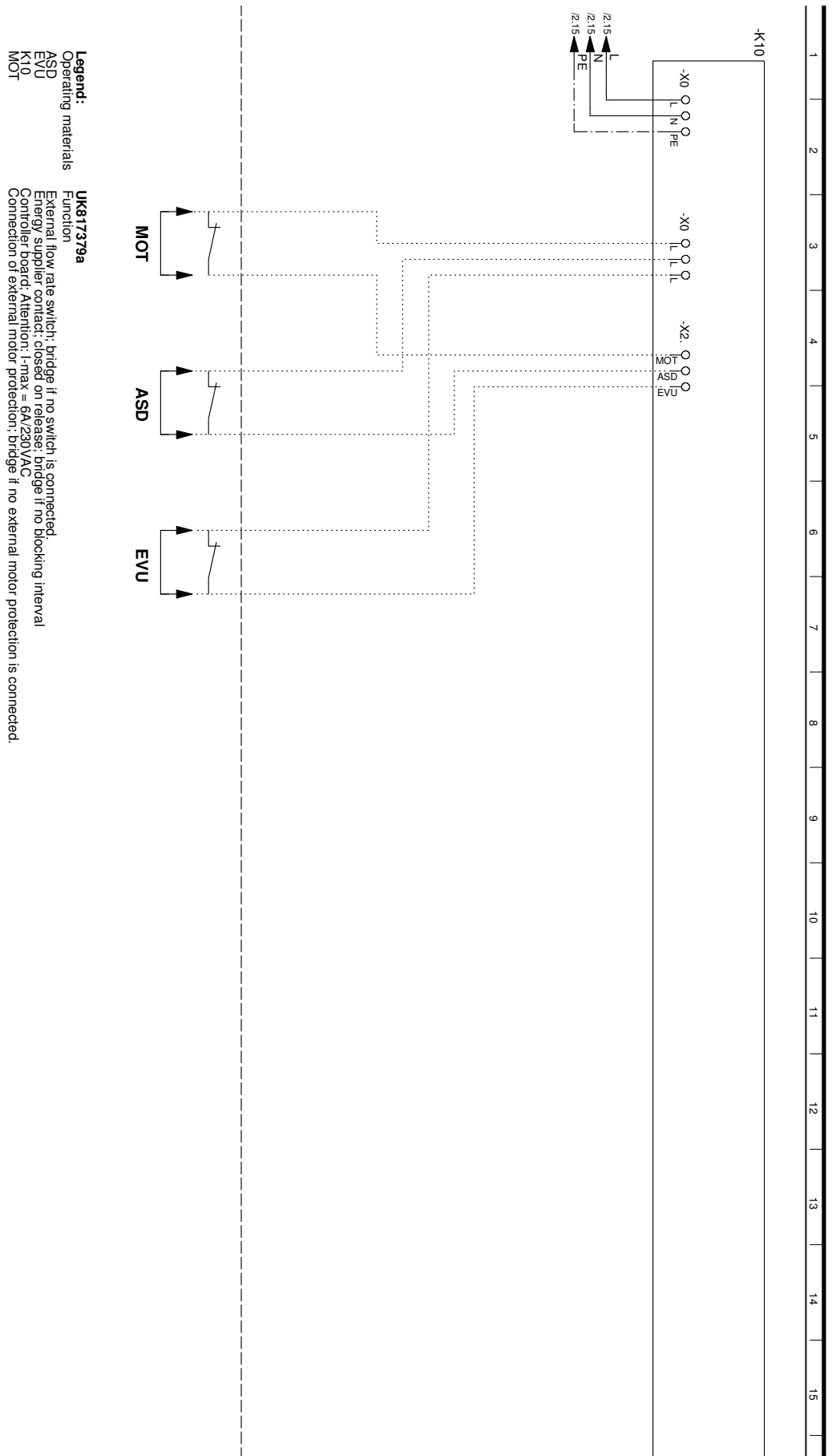
Circuit diagram 2/3





SWP 371 / SWP 451

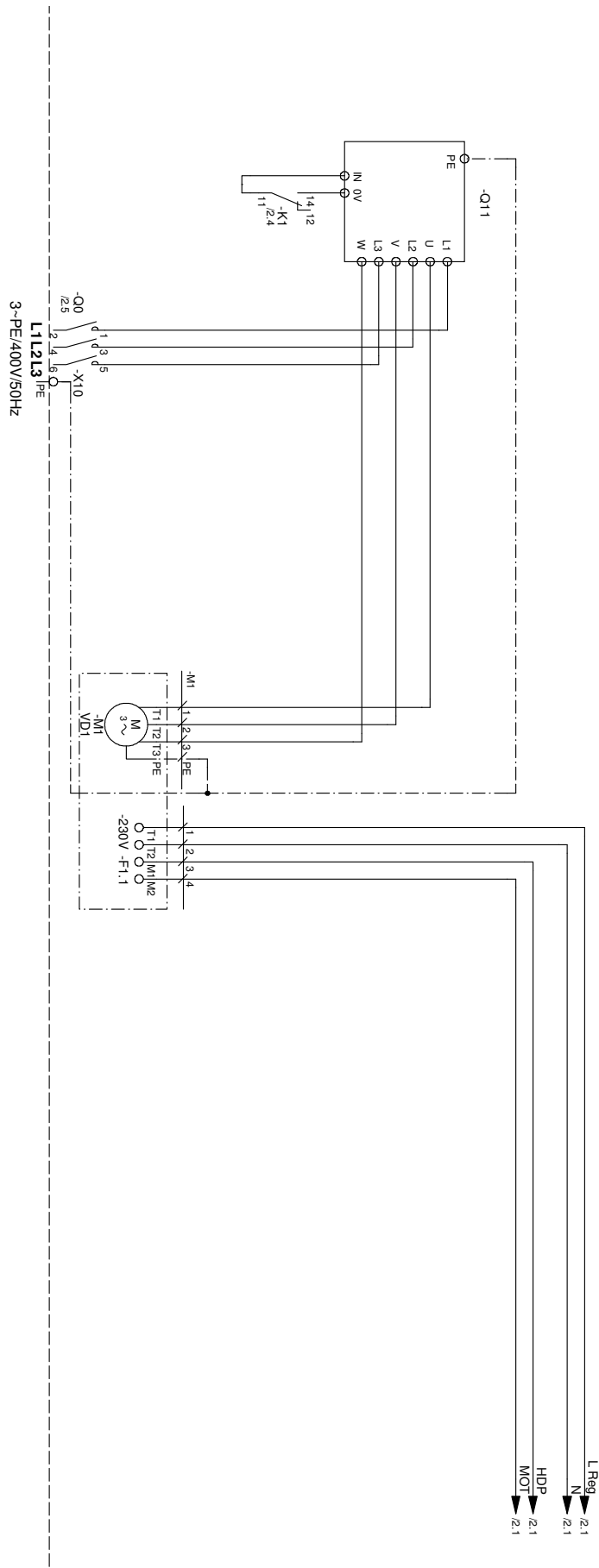
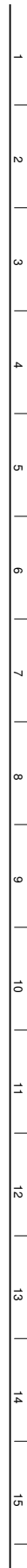
Circuit diagram 3/3





SWP 581 / SWP 691 / SWP 561H

Circuit diagram 1/3

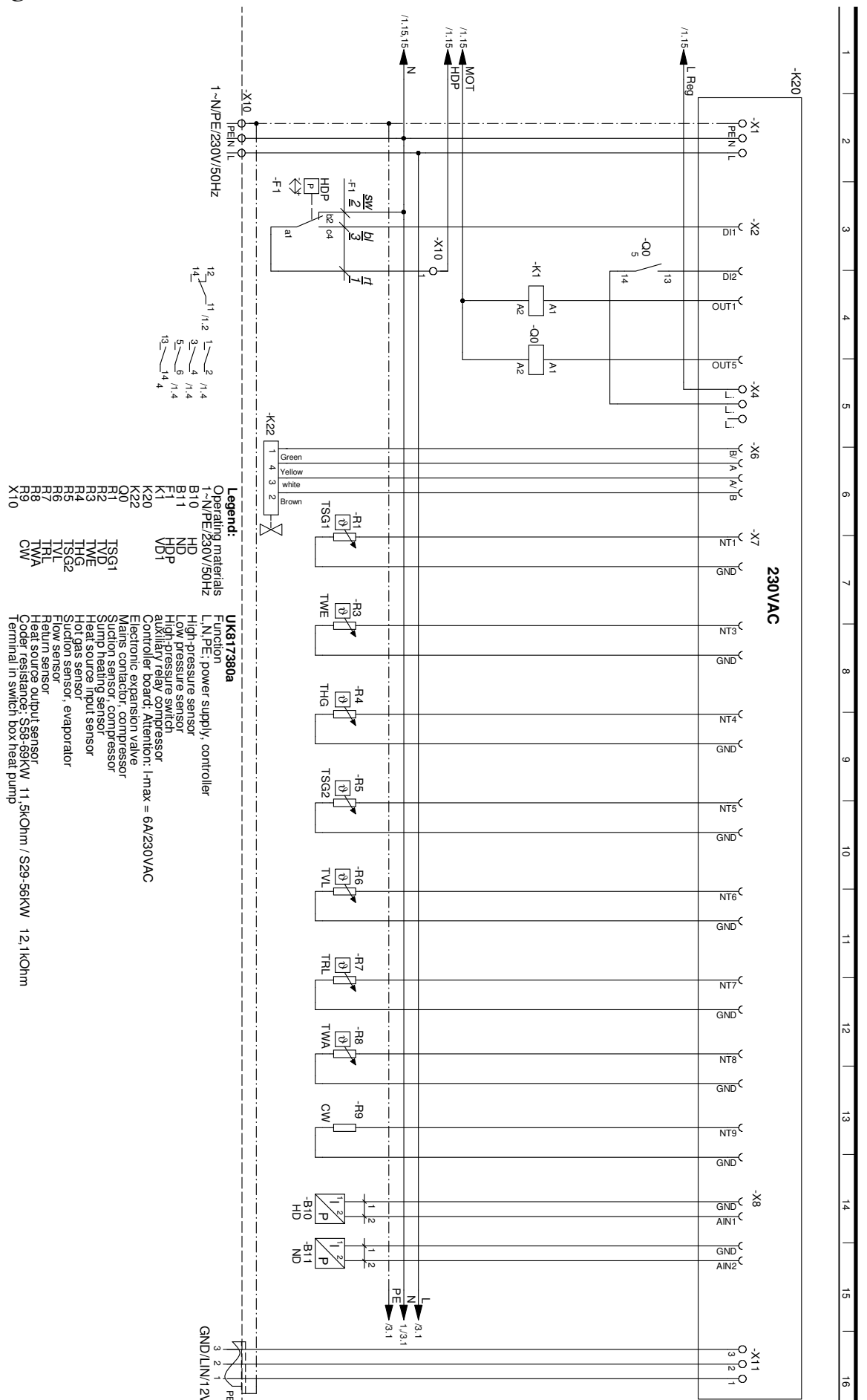


- Legend:**
- Operating materials
 - 3~PE/400V/50Hz
 - E20
 - F1.1
 - M1
 - K1
 - Q0
 - Q11
 - X10
- UK817380a**
- Function
 - L1, L2, L3, PE: power supply; output, compressor; clockwise rotary field is absolutely necessary!
 - Sump heating for compressor 1
 - Compressor motor protection
 - compressor
 - auxiliary relay compressor
 - Mains contactor, compressor
 - Starting current limit compressor
 - Terminal in switch box heat pump



Circuit diagram 2/3

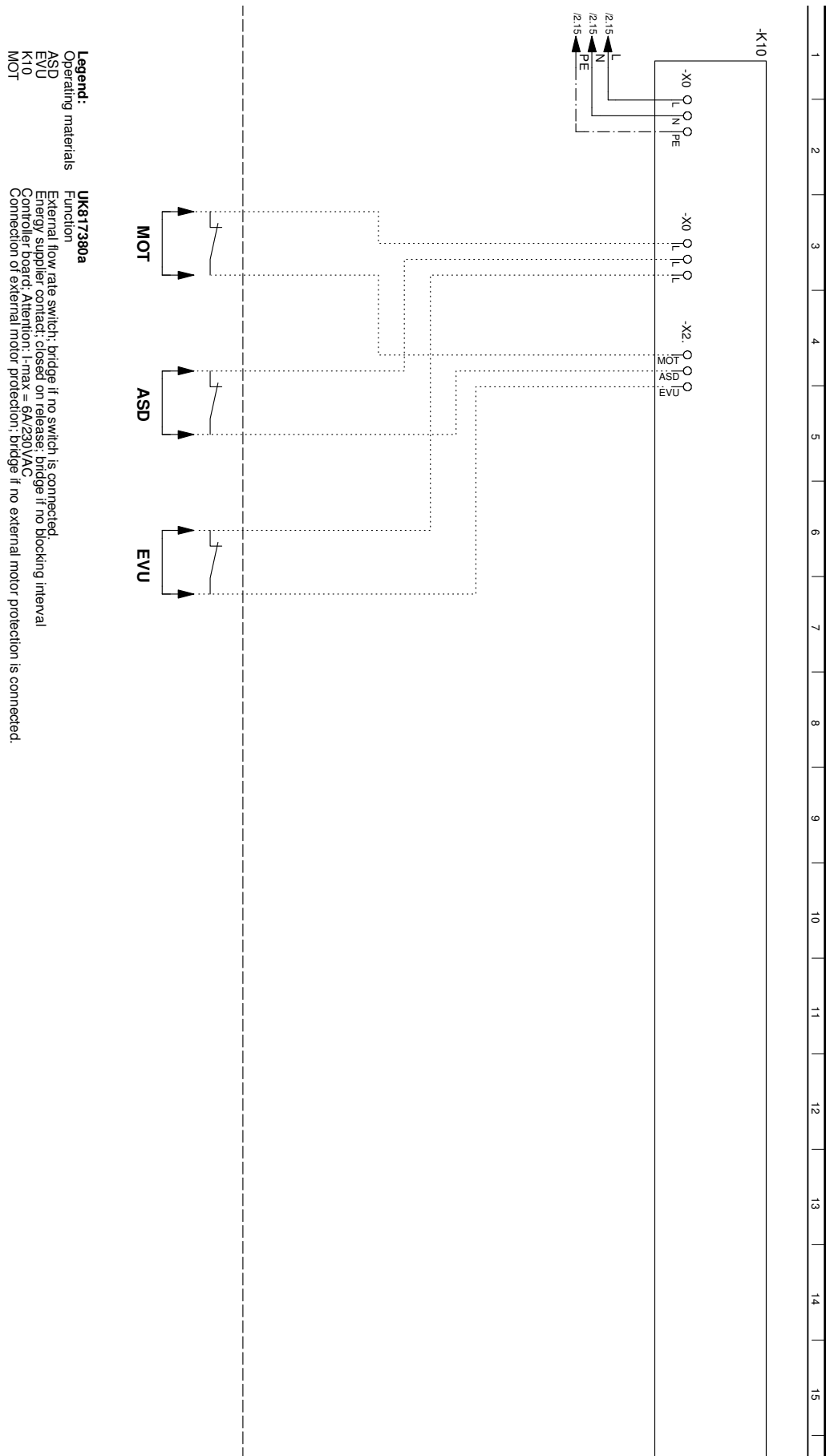
SWP 581 / SWP 691 / SWP 561H





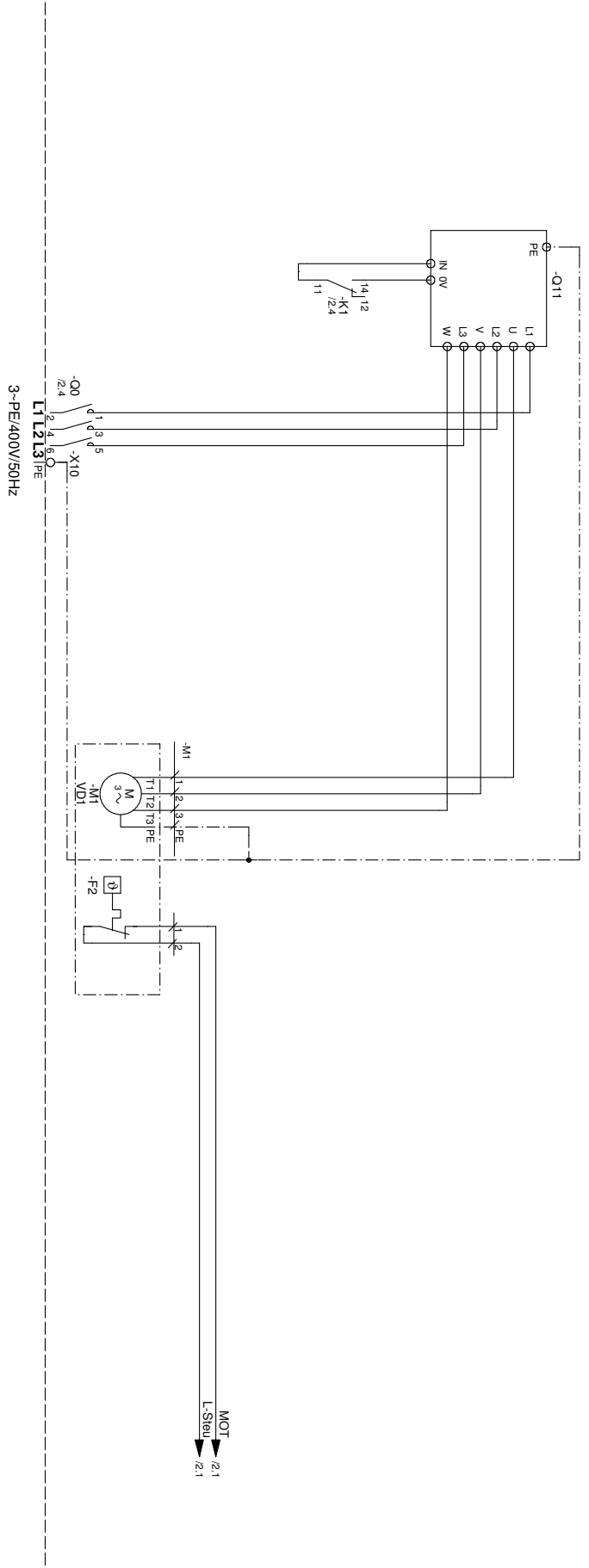
SWP 581 / SWP 691 / SWP 561H

Circuit diagram 3/3





Circuit diagram 1/3

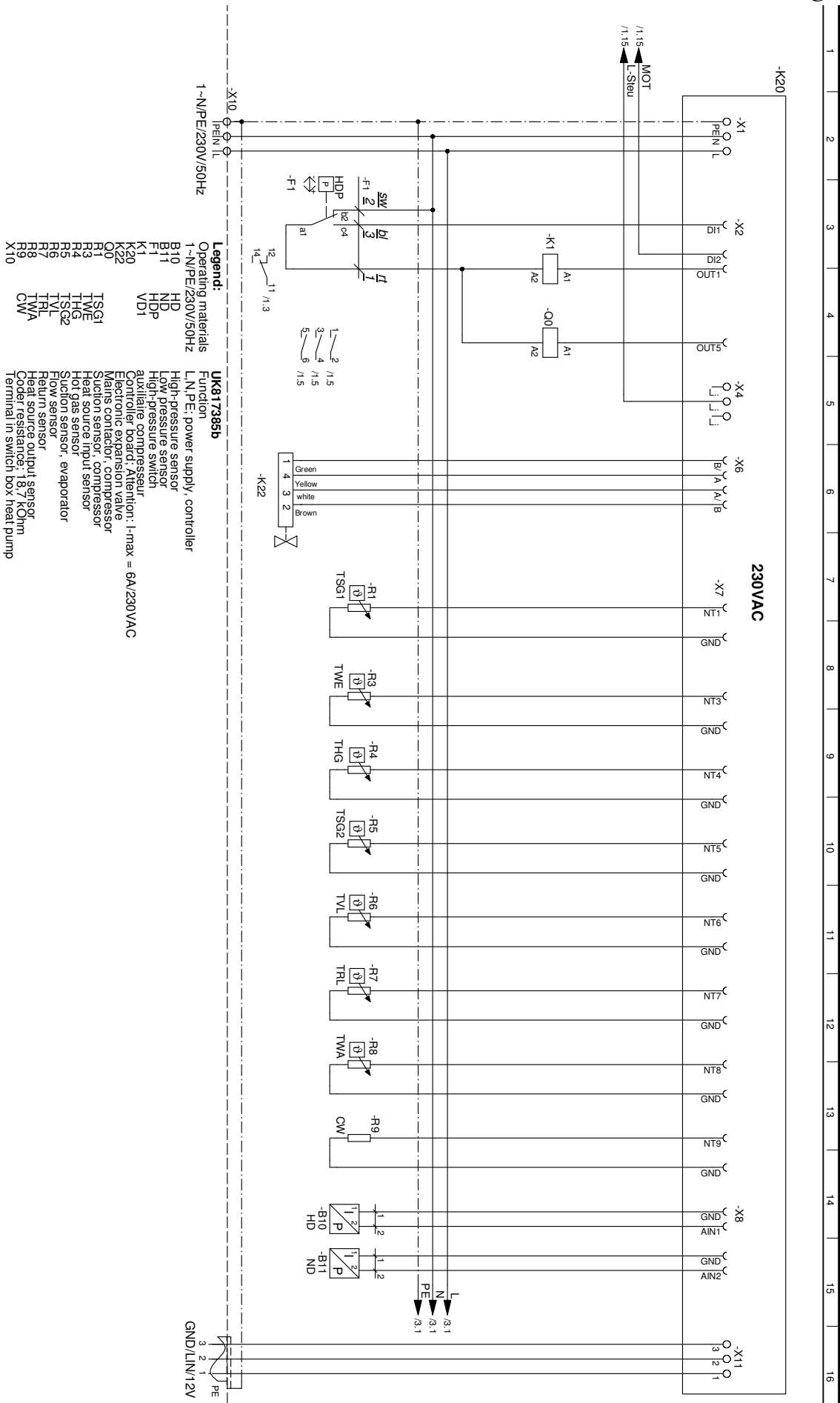


- Legend:**
- Operating materials
 - 3-PE/400V/50Hz
 - F2
 - M1
 - K1
 - Q11
 - X10
 - UK817385b
 - Function
 - L1, L2, L3, PE: power supply, output, compressor, dockwise rotary field is absolutely necessary!
 - Compressor motor protection
 - compressor
 - auxiliary compressor
 - Mains contactor, compressor
 - Starting current limit compressor
 - Terminal in switch box heat pump
 - VP1



SWP 291H

Circuit diagram 2/3





SWP 291H

Circuit diagram 3/3

