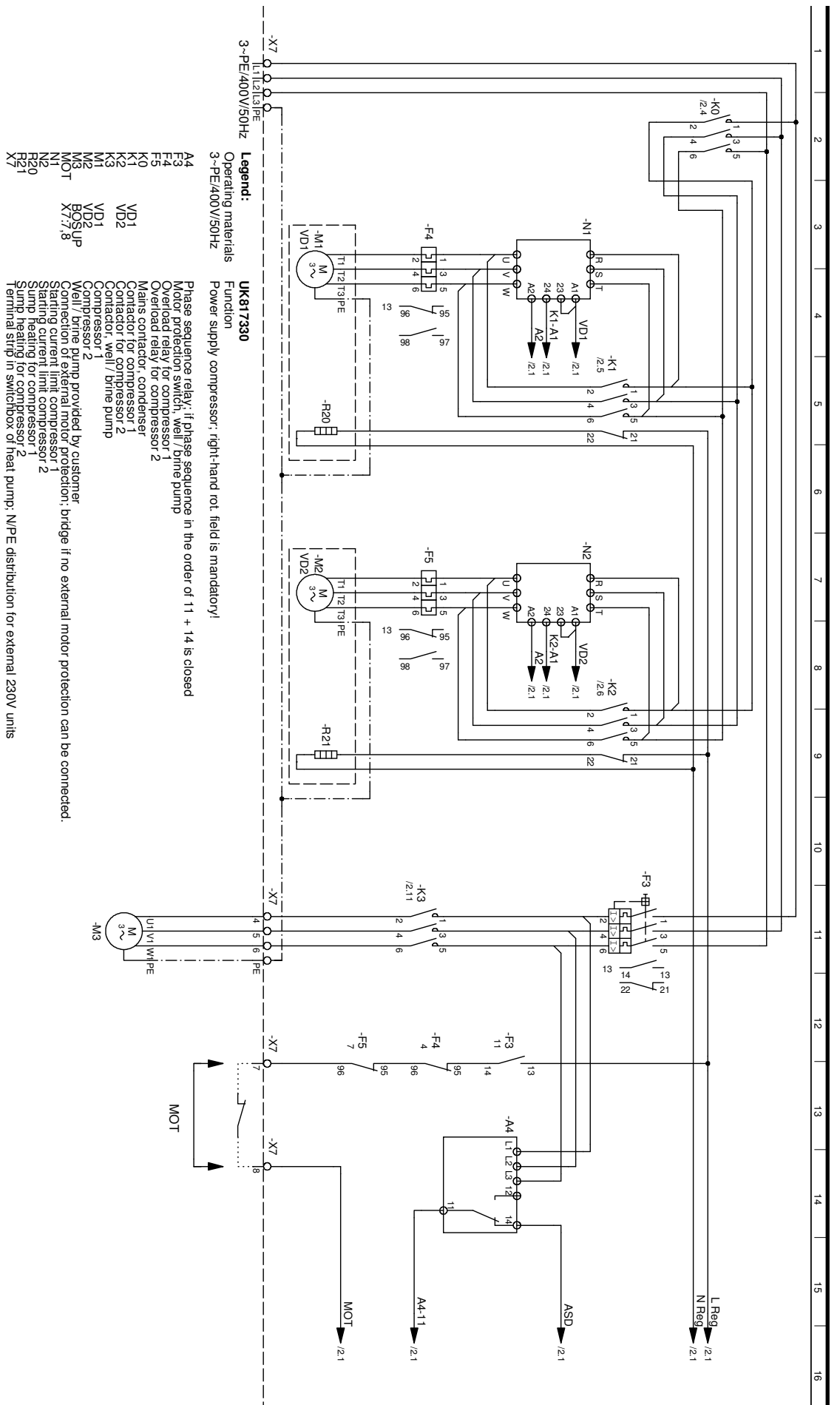




Circuit Diagram 1/3

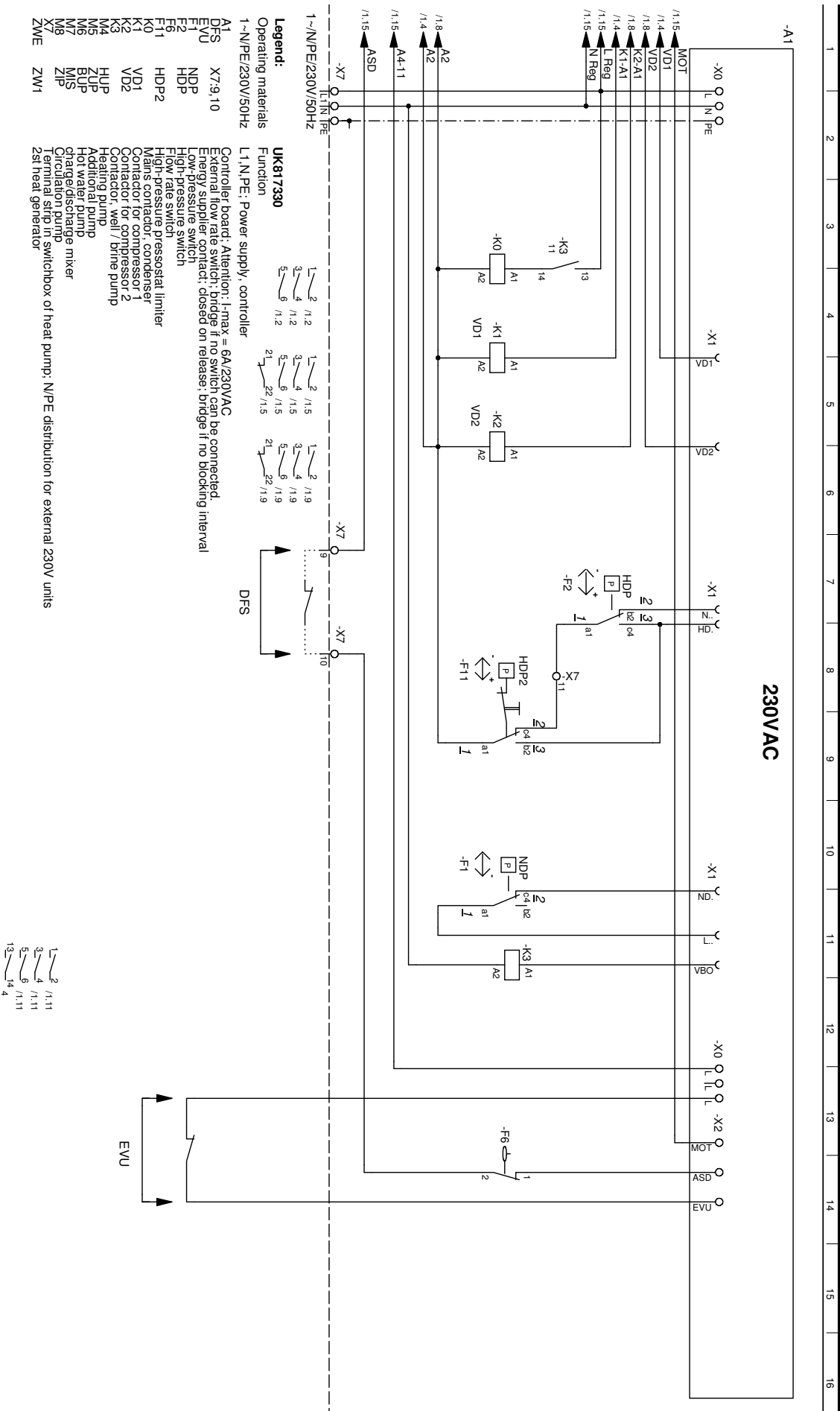
SWP 1100 – 1600 / SWP 700H – 1000H





SWP 1100 – 1600 / SWP 700H – 1000H

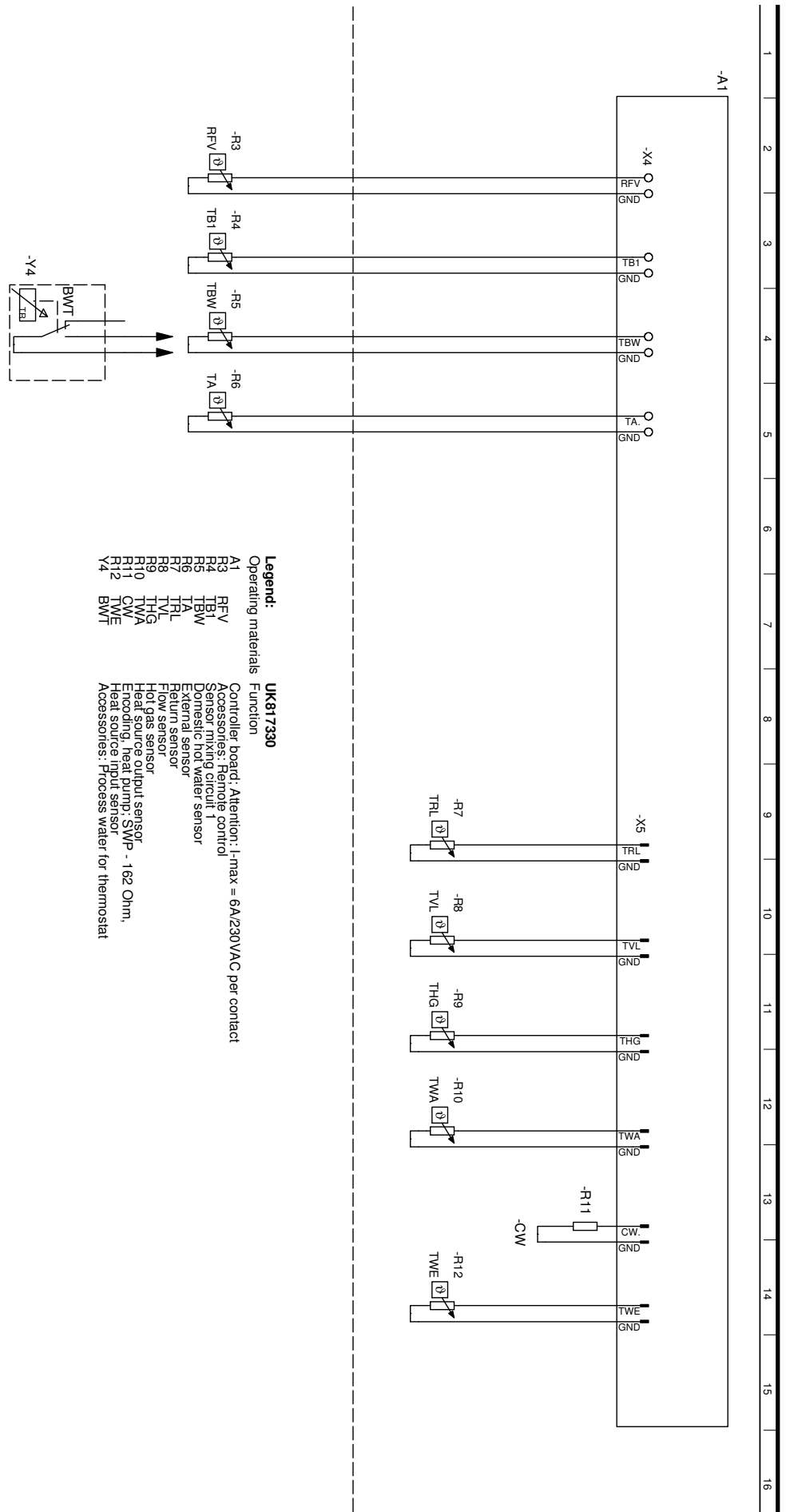
Circuit Diagram 2/3





Circuit Diagram 3/3

SWP 1100 – 1600 / SWP 700H – 1000H



Legend:

Operating materials	UK817330	Function
A1		Controller board: Attention: !-max = 6A/230VAC per contact
R3		Accessories: Remote control
R4		Sensor mixing circuit 1
R5		Domestic hot water sensor
R6		External sensor
R7		Return sensor
R8		Flow sensor
R9		Hot gas sensor
R10		Heat source output sensor
R11		Heating, heat pump, -SWP - 162 Ohm.
R12		Heat source input sensor
Y4		Accessories: Process water for thermostat