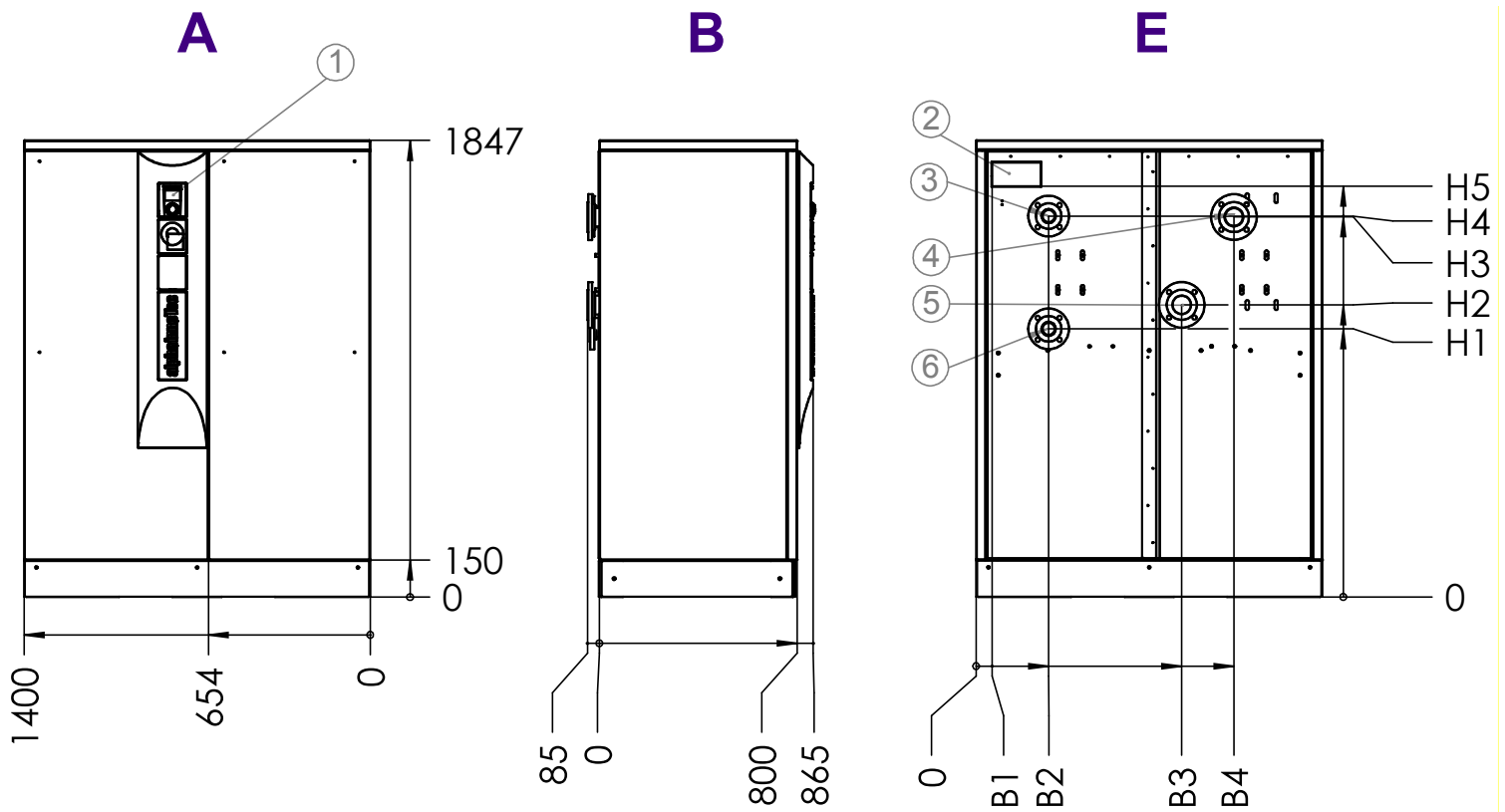




SWP 1100 – 1250 / SWP 700H – 1000H

Dimensional diagrams



Legend: UK819162~e

All dimensions in mm.

- A Front view
- B Side view from left
- E Rear view

POS

- Designation**
- 1 Control panel
 - 2 Sleeves for electrical / sensor cables
 - 3 Hot water outlet (flow), flange DIN 2566
 - 4 Heat source inlet, flange DIN 2566
 - 5 Heat source outlet, flange DIN 2566
 - 6 Hot water inlet (return), flange DIN 2566

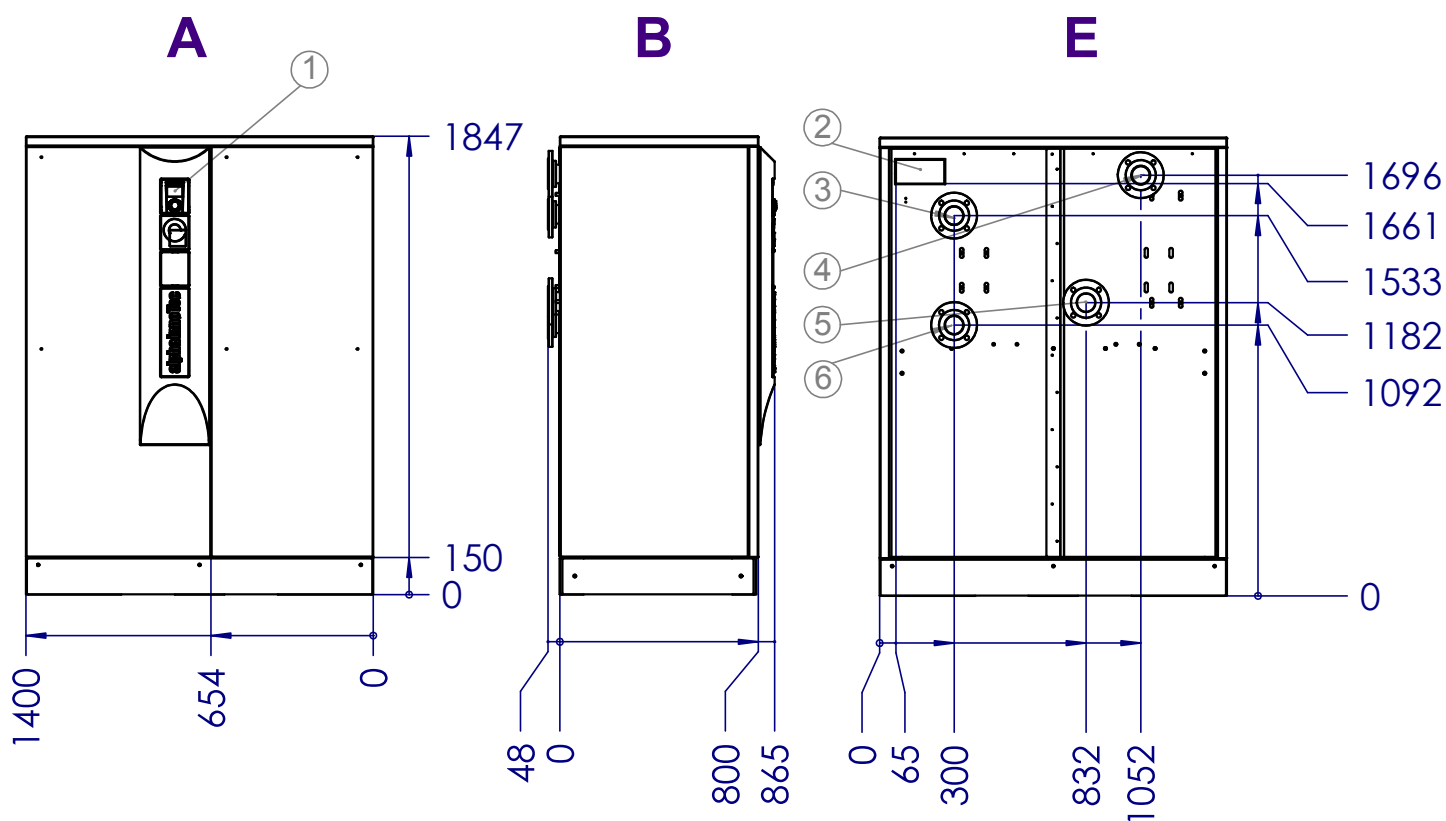
Dimensioning table

Type	H1	H2	H3	H4	H5	B1	B2	B3	B4	3	4	5	6
SWP 1100, 700H-1000H	1085	1182	1537	1541	1661	65	294	832	1043	DN50	DN65	DN65	DN50
SWP 1250	1092	1182	1537	1533	1661	65	300	832	1043	DN65	DN65	DN65	DN65



Dimensional diagrams

SWP 1600



Legend: UK819163~e

All dimensions in mm.

- A Front view
- B Side view from left
- E Rear view

POS

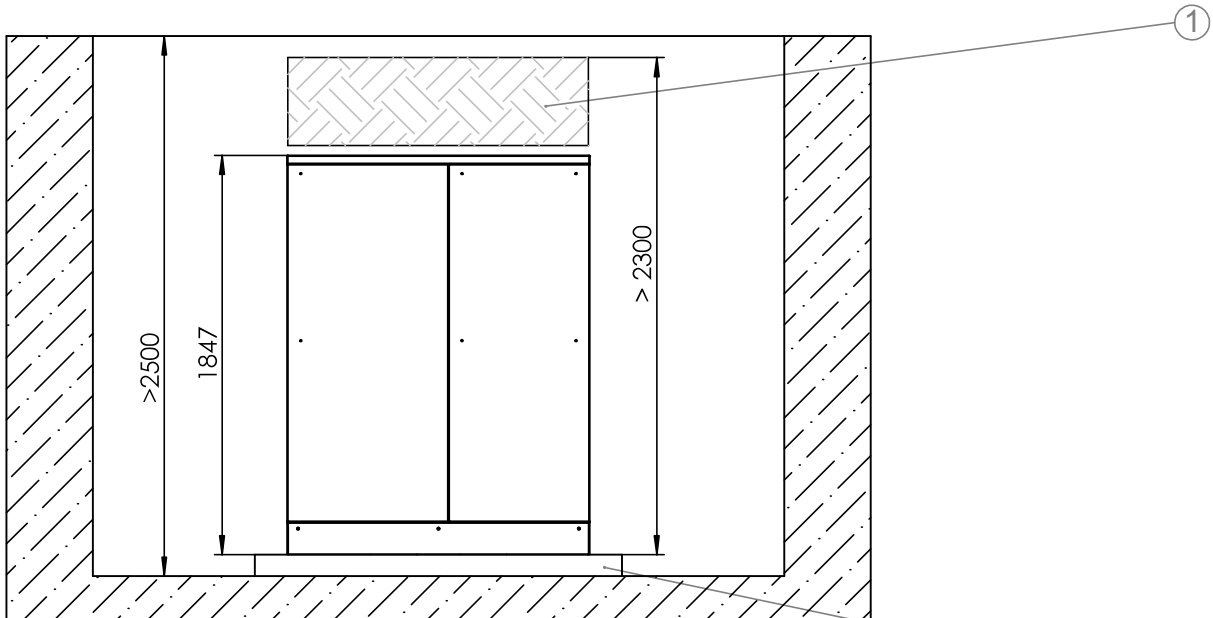
- | POS | Designation |
|-----|--|
| 1 | Control panel |
| 2 | Sleeves for electrical / sensor cables |
| 3 | Hot water outlet (flow) |
| 4 | Heat source inlet |
| 5 | Heat source outlet |
| 6 | Hot water inlet (return) |

Connections

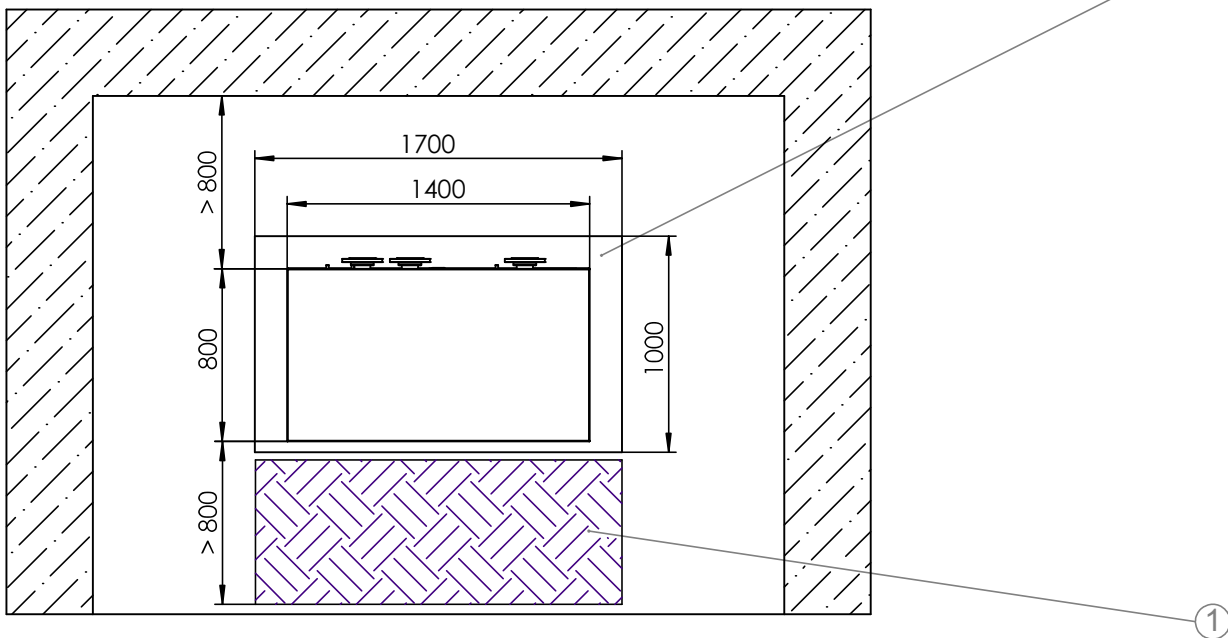
- Flange 2 1/2" DIN 2566
- Flange 2 1/2" DIN 2566
- Flange 2 1/2" DIN 2566
- Flange 2 1/2" DIN 2566



A



C



Legend: UK819166~b
All dimensions in mm.

A Front view
C Top view

POS

Designation

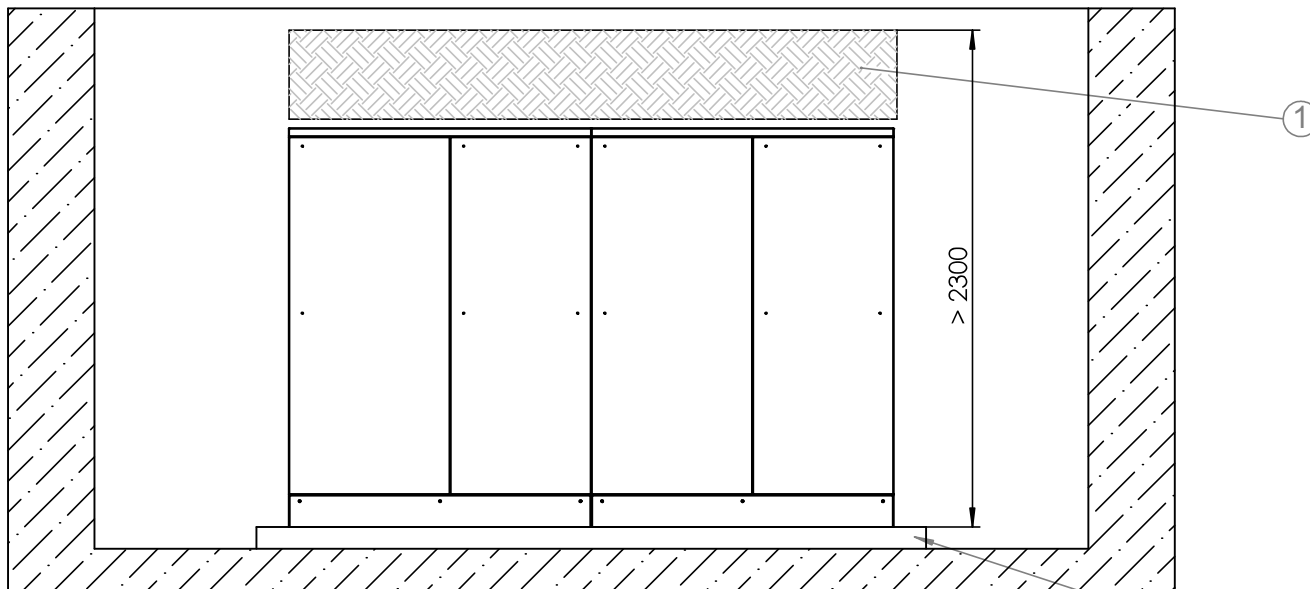
- 1 Hatched area is free space for service purposes
- 2 Concrete foundation with sound insulation inlay



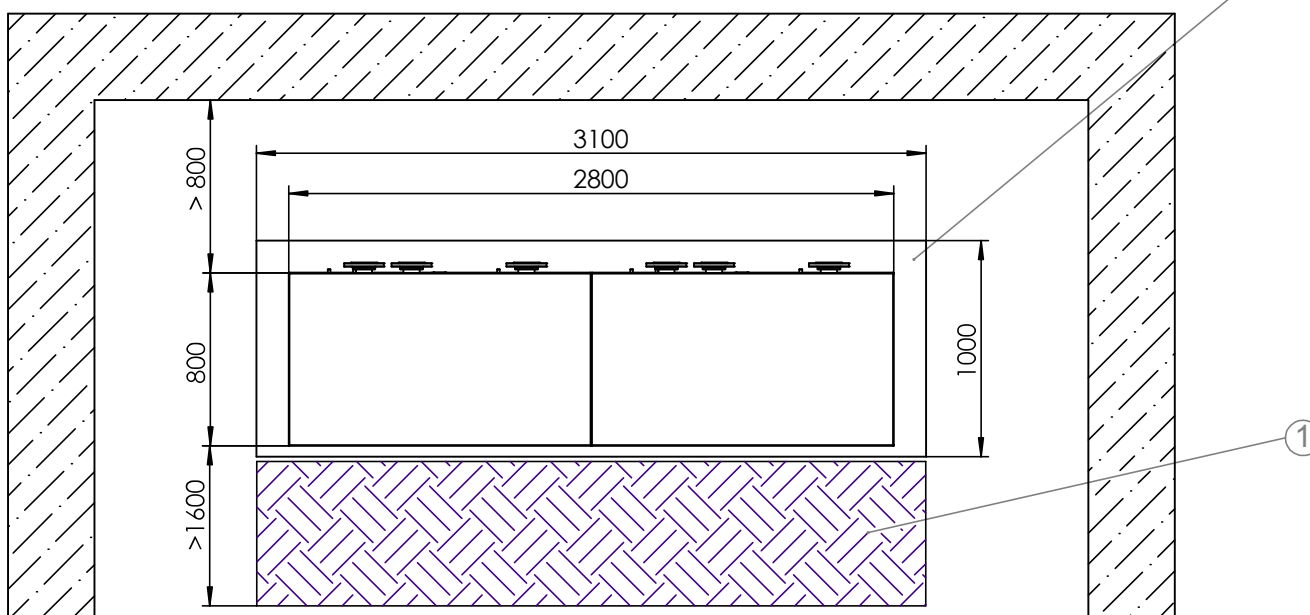
Installation plan 2/2

SWP 1100 – 1600 / SWP 700H – 1000H

A



C



Legend: UK819135~c

All dimensions in mm.

A Front view

C Top view

POS Designation

1 Hatched area is free space for service purposes

2 Concrete foundation with sound insulation inlay