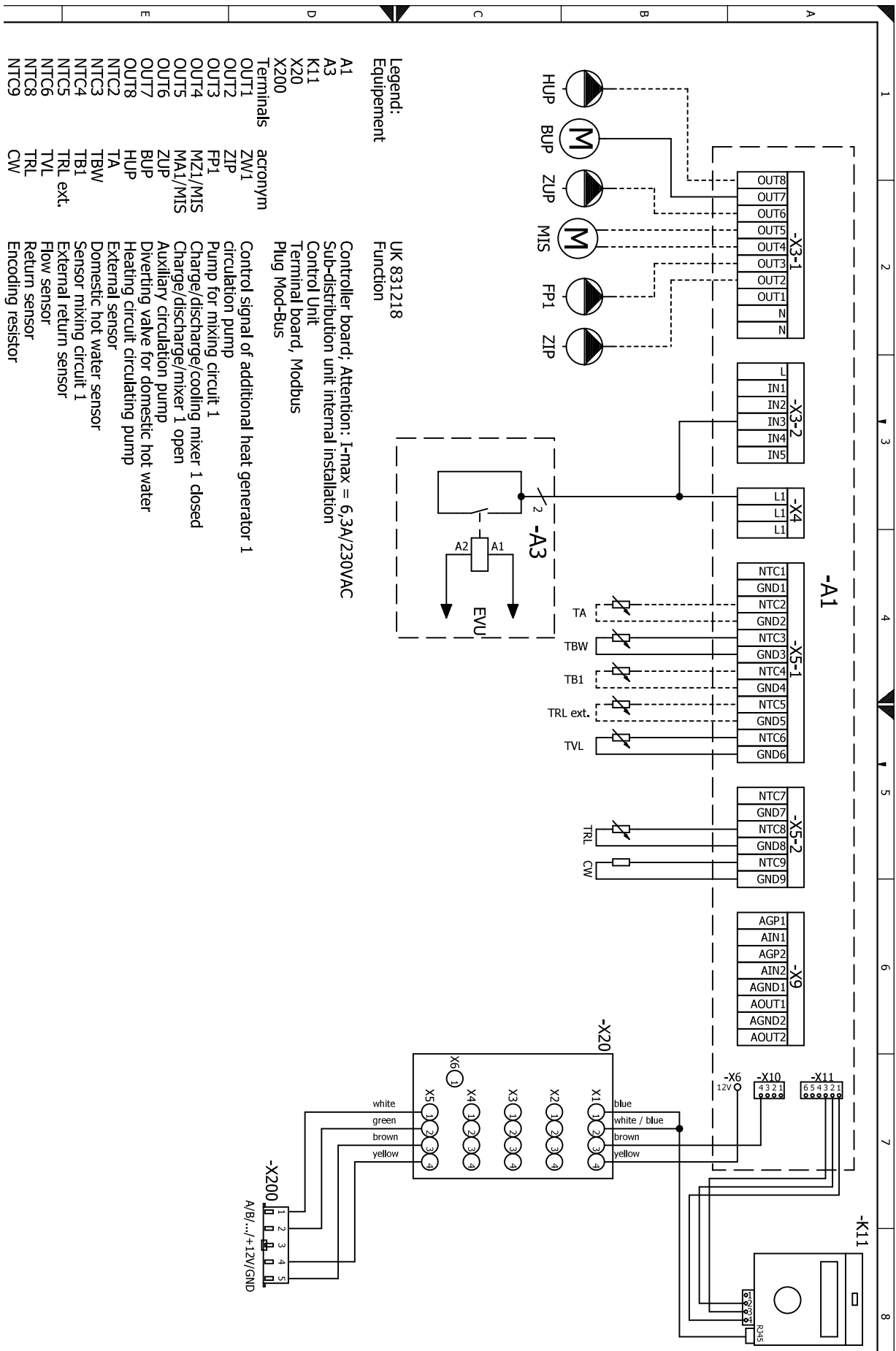




# Terminal diagram

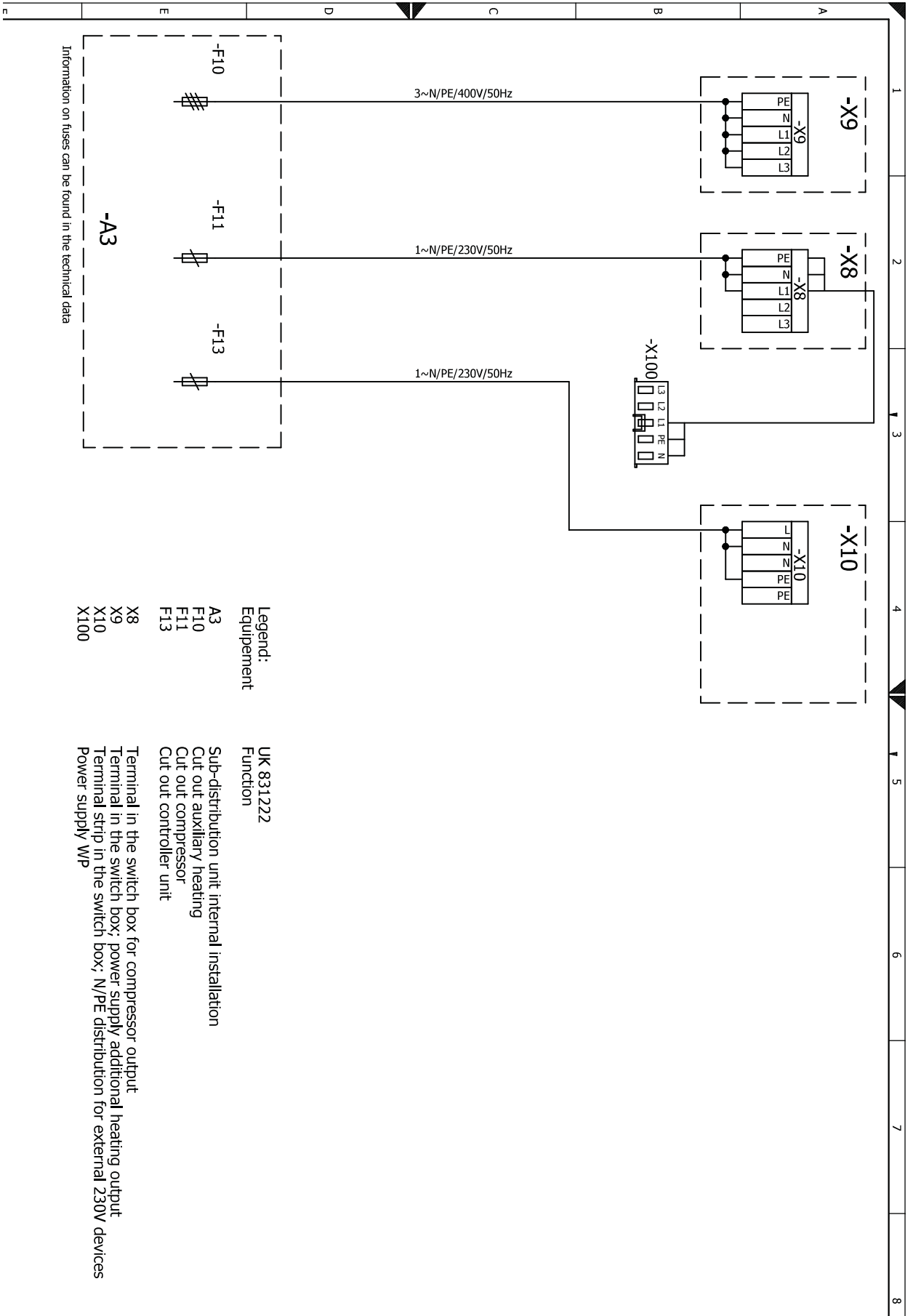
HSV





# HSV 9M1/3

## Terminal diagram, mains connection, heat pump 1~230V + electric heating element 3~400V



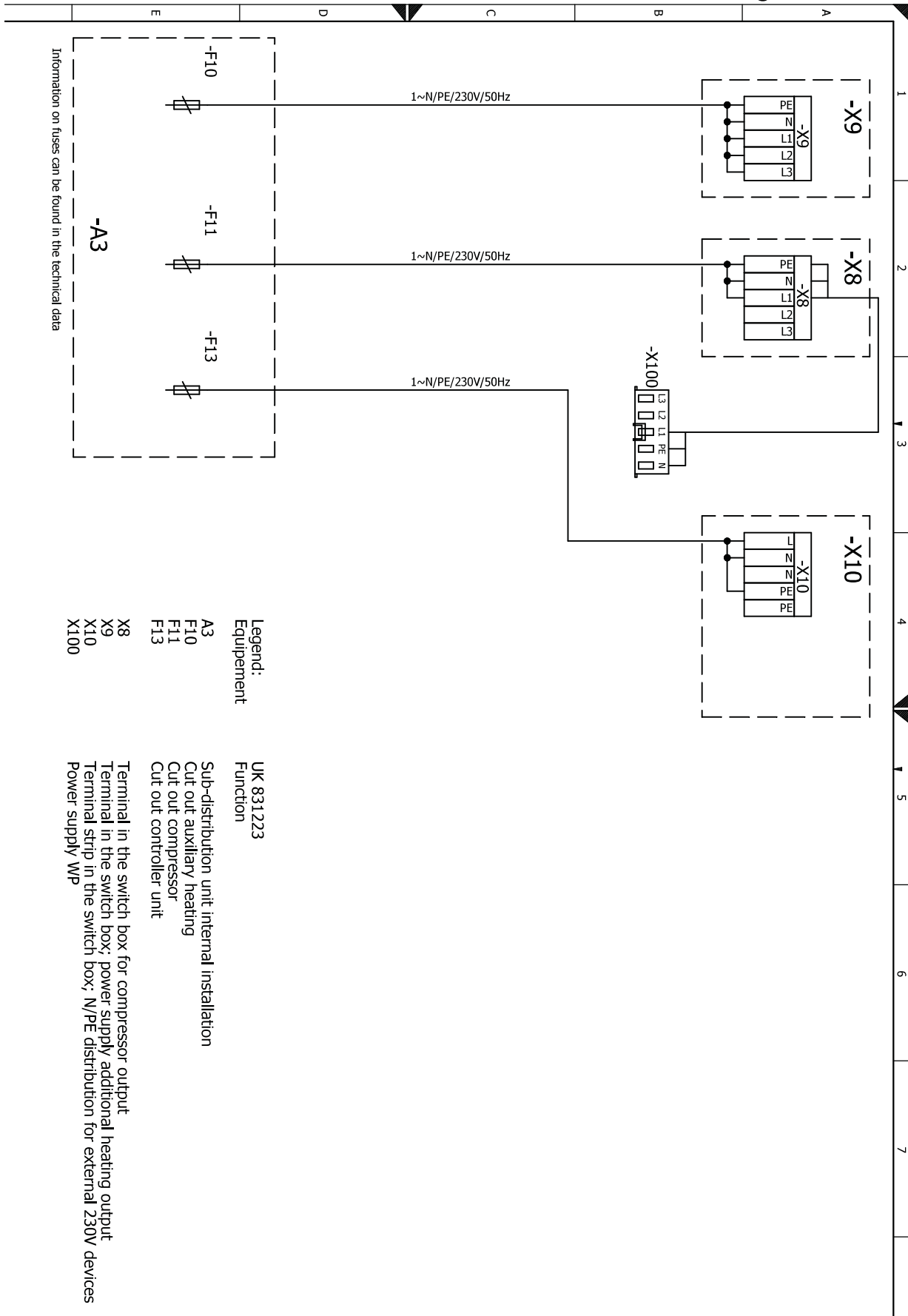
Information on fuses can be found in the technical data

- |                  |   |
|------------------|---|
| <b>Legend:</b>   | <b>UK 831222</b>  |
| <b>Equipment</b> | <b>Function</b>   |
| A3               | Sub-distribution unit internal installation                                   |
| F10              | Cut out auxiliary heating   |
| F11              | Cut out compressor  |
| F13              | Cut out controller unit   |
| X8               | Terminal in the switch box for compressor output                              |
| X9               | Terminal in the switch box: power supply additional heating output            |
| X10              | Terminal strip in the switch box: N/PE distribution for external 230V devices |
| X100             | Power supply W/P  |



# HSV 9M1/3

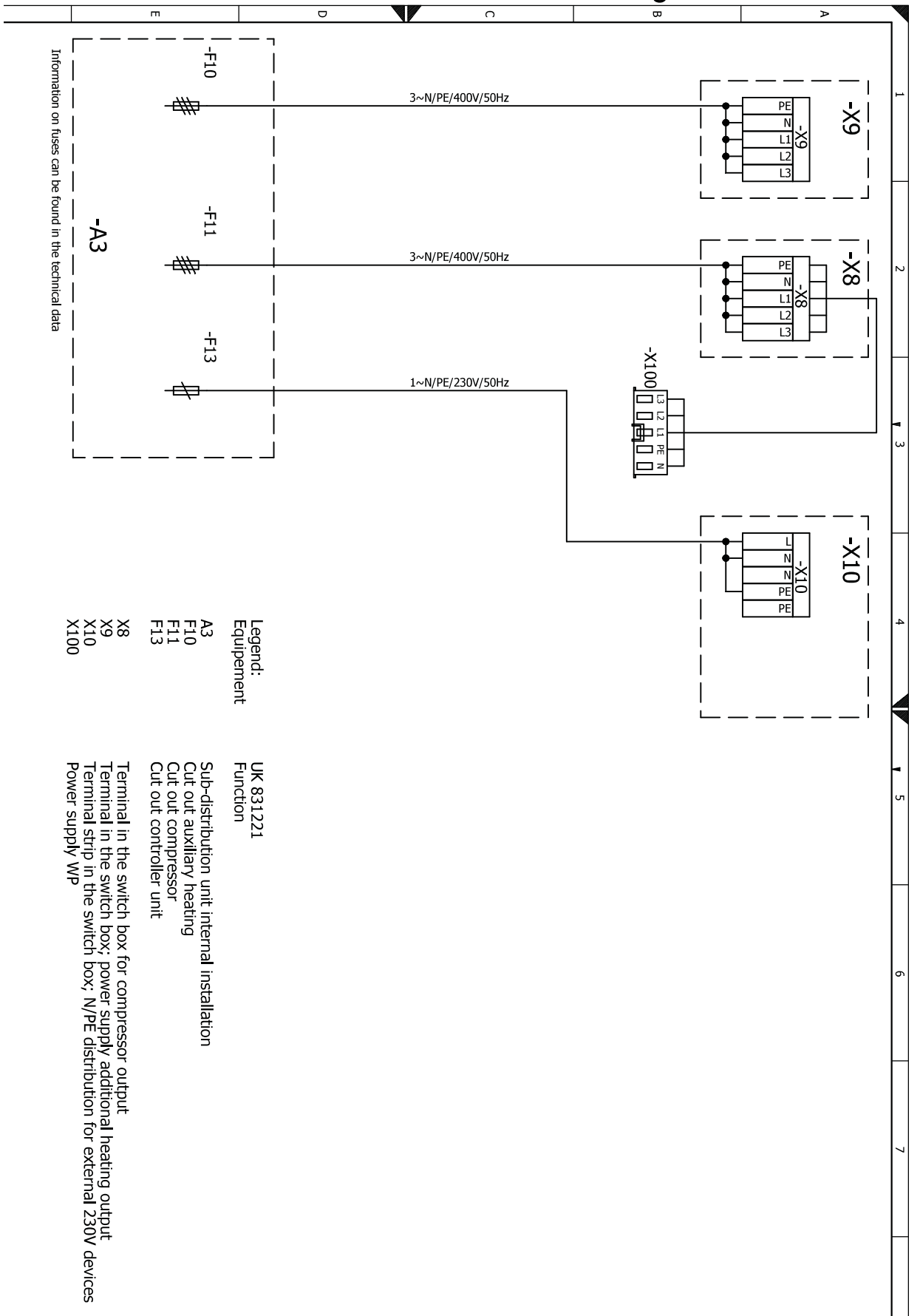
## Terminal diagram, mains connection, heat pump 1~230V + electric heating element 1~230V





# HSV 12M3

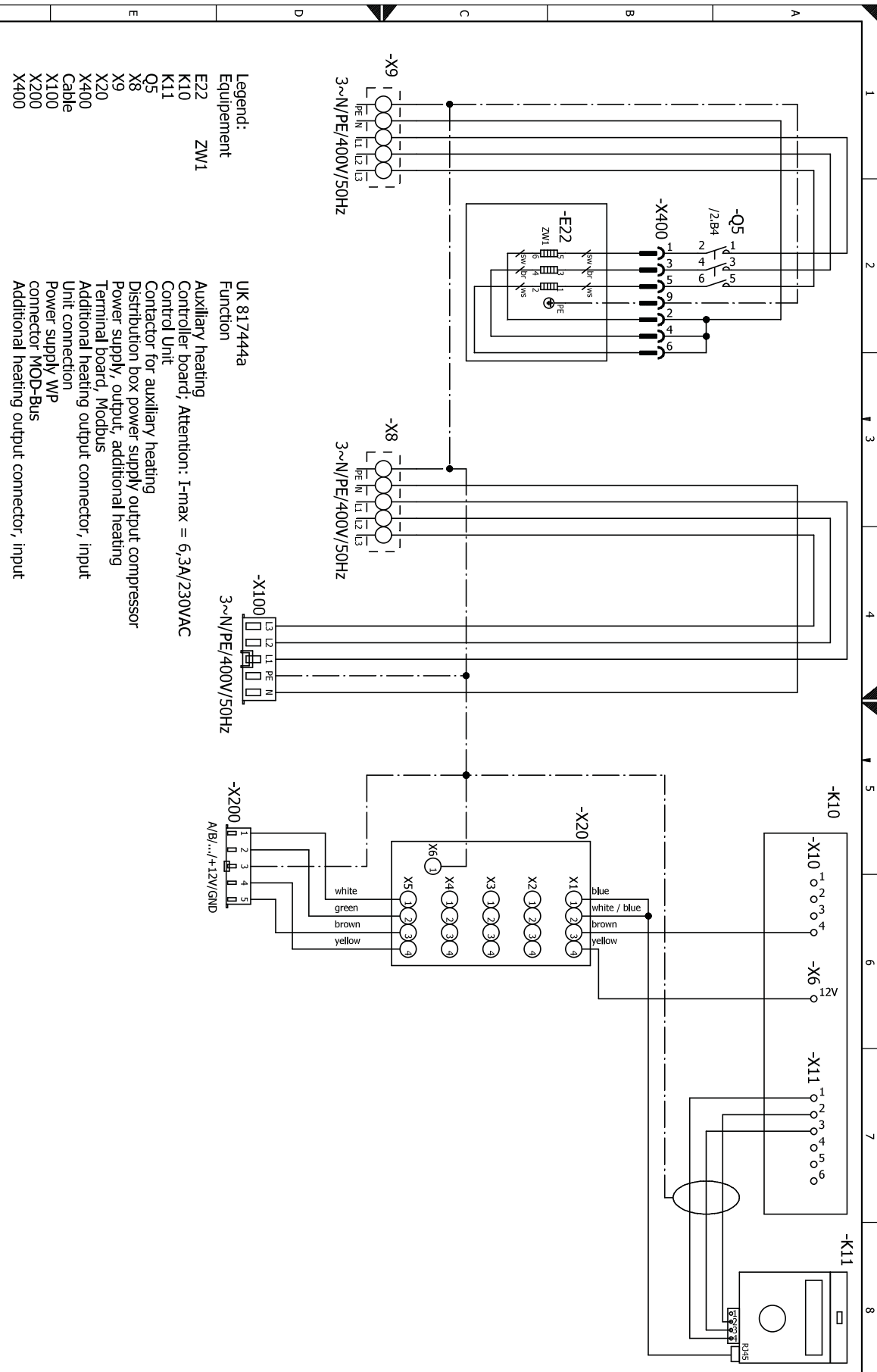
## Terminal diagram, mains connection, heat pump 3~400V + electric heating element 3~400V





# Circuit diagram 1/2

HSV

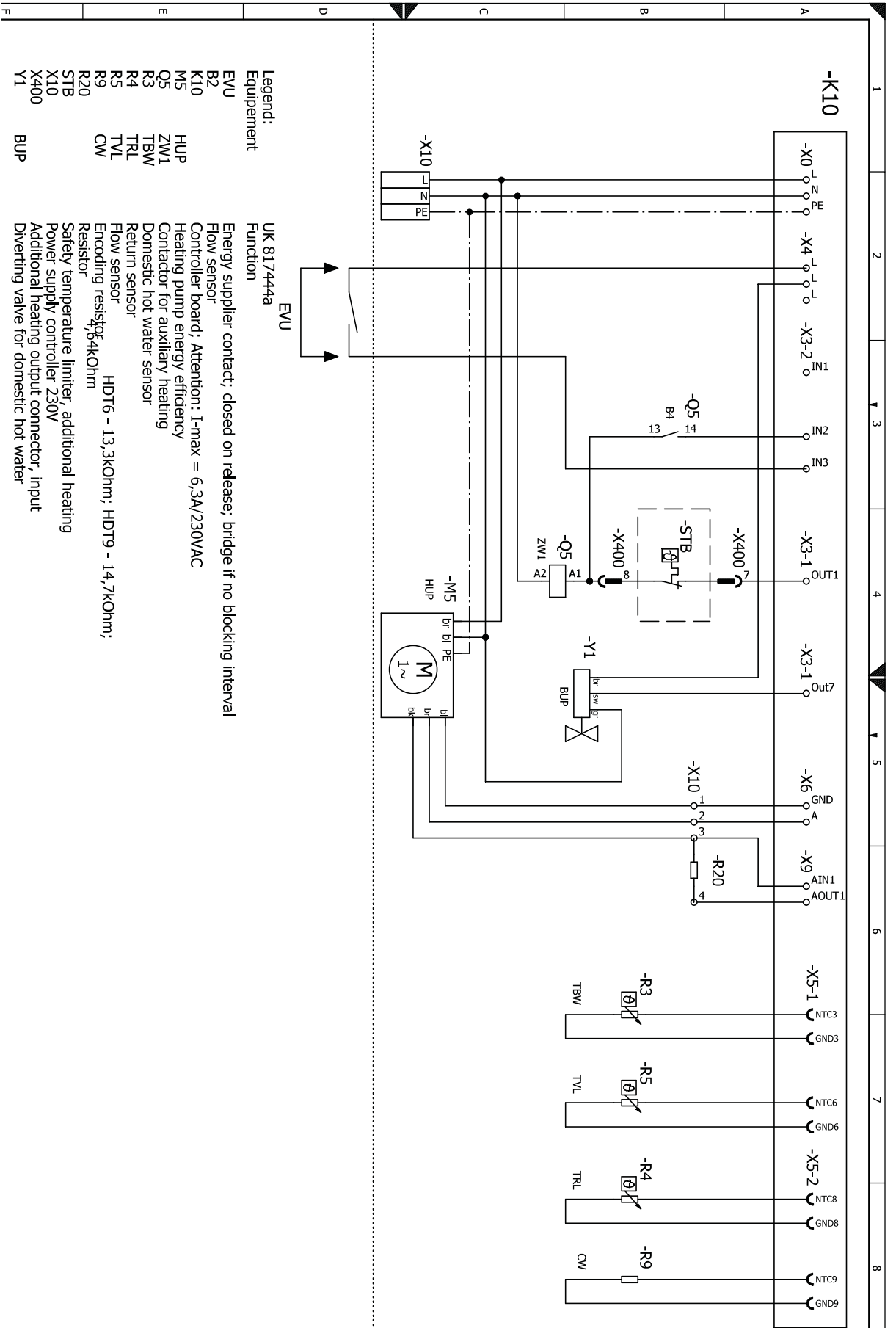


- Legend:**
- Equipment: UK 817444a
  - Function: Auxiliary heating
  - E22: Controller board; Attention: I-max = 6,3A/230VAC
  - K10: Control Unit
  - K11: Distactor for auxiliary heating
  - Q5: Distribution box power supply output compressor
  - X8: Power supply, output, additional heating
  - X9: Terminal board, Modbus
  - X20: Additional heating output connector, input
  - X400: Unit connection
  - X100: Power supply W/P
  - X200: connector MOD-Bus
  - X400: Additional heating output connector, input



# Circuit diagram 2/2

# HSV



**Legend:**  
**Equipment**  
 EVU UK 817444a  
 Function  
 Energy supplier contact; closed on release; bridge if no blocking interval  
 B2 Flow sensor  
 K10 Controller board; Attention: I-max = 6,3A/230VAC  
 M5 Heating pump energy efficiency  
 O5 Contactor for auxiliary heating  
 R3 Domestic hot water sensor  
 R4 Return sensor  
 R5 Flow sensor  
 R9 Encoding resistor  
 R20 Resistor  
 STB Safety temperature limiter; additional heating  
 X10 Power supply controller 230V  
 X400 Additional heating output connector; input  
 Y1 Diverging valve for domestic hot water  
 BUP