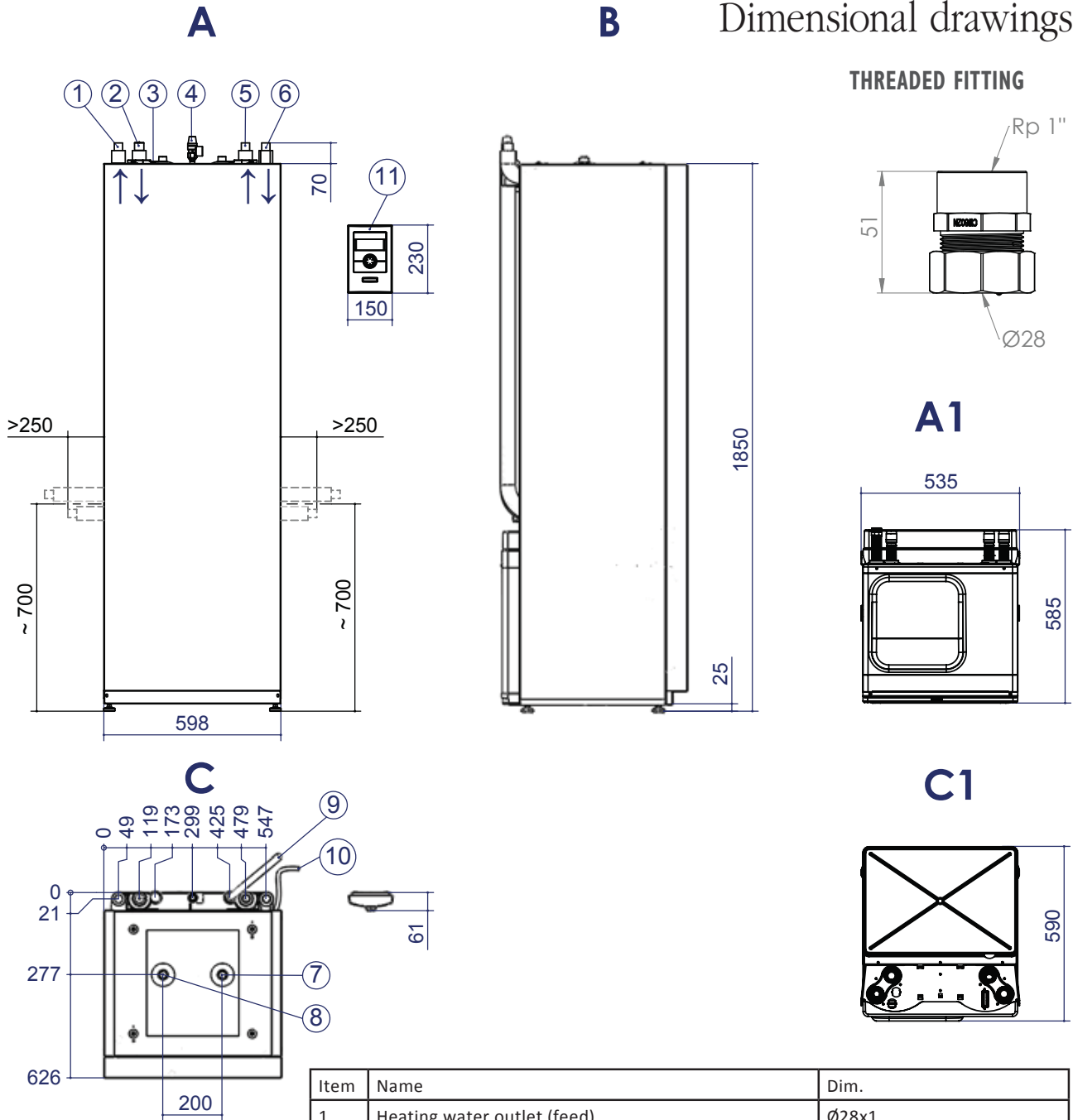




Dimensional drawings



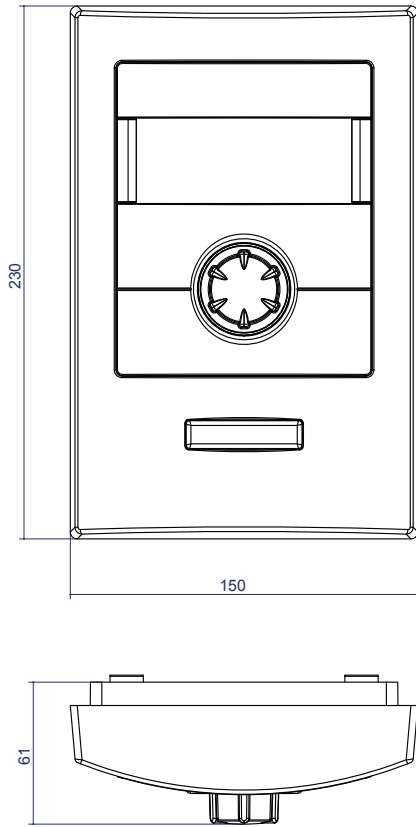
Key: D819444a
All dimensions in mm.

- A Front view
- B Side view from the left
- C Top view
- A1 Front view of module box
- C1 Top view of module box

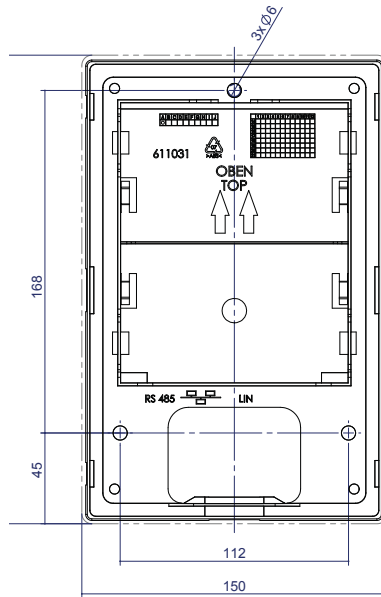
Item	Name	Dim.
1	Heating water outlet (feed)	Ø28x1
2	"Heat source inlet (in heat pump) optionally at the top, on the right or left"	Ø28x1
3	Empty conduit for electric/sensor cables	Ø35x1
4	Heating circuit safety valve (in the separate package)	Rp 3/4" internal thread
5	"Heat source outlet (from the heat pump) optionally at the top, on the right or left"	Ø28x1
6	Heating water inlet (return)	Ø28x1
7	Domestic hot water	R 3/4" external thread
8	Cold water	R 3/4" external thread
9	Connection cable (only variant ..H3S)	1m from unit
10	LIN bus cable	2m from unit
11	Control unit for wall installation (in the separate package)	---



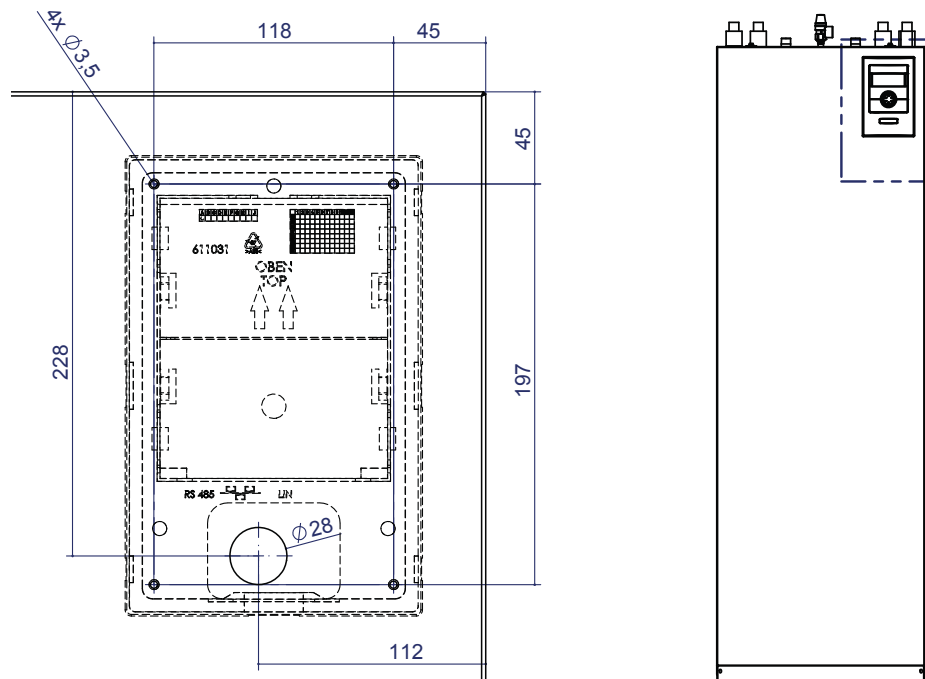
Dimensional drawings: control part and wall bracket



WALL-MOUNTED INSTALLATION:

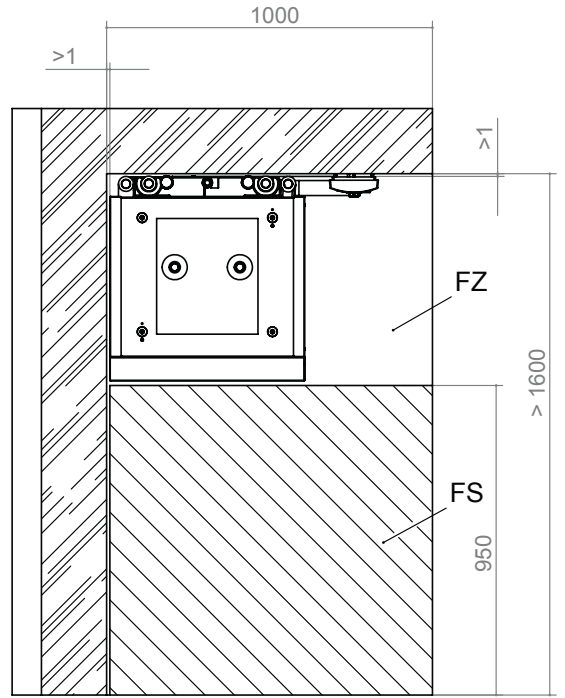
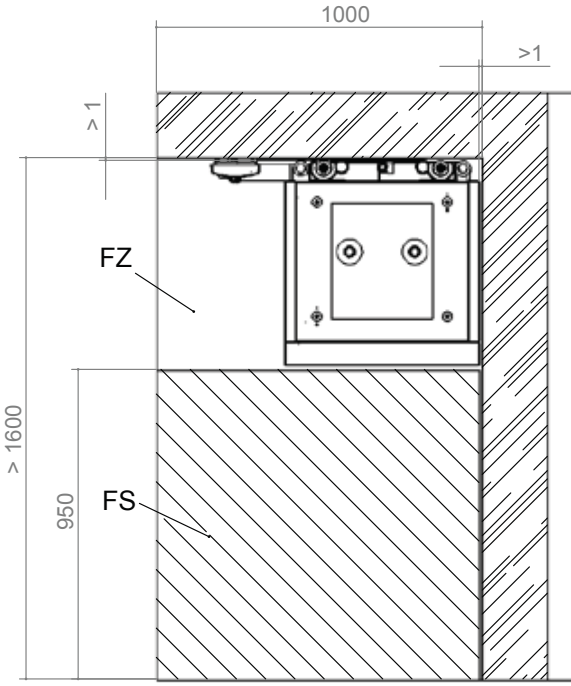
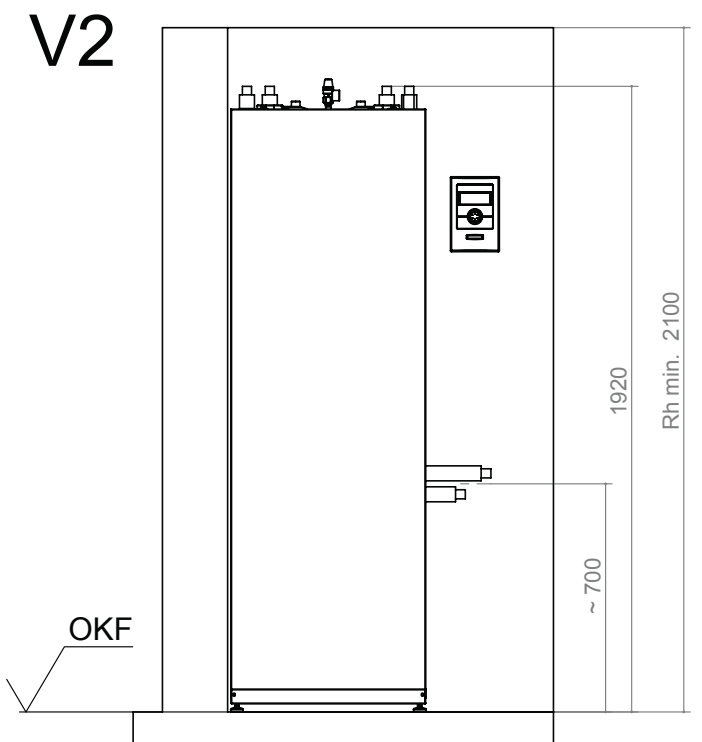
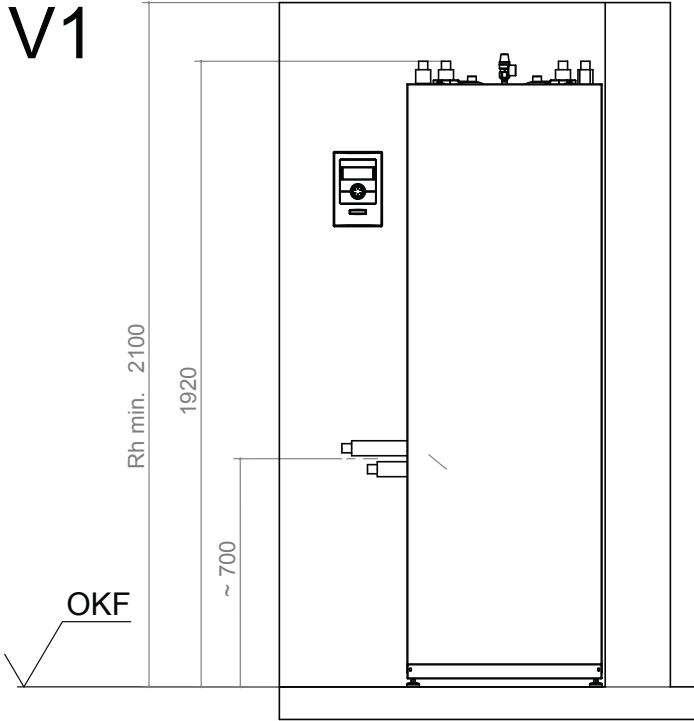


CONTROL UNIT ON THE UNIT





Installation plans



Key: DE819445

- V1 Version 1
- Rh min. Minimum room height
- FS Free space for service purposes
- FZ Free space for functionally necessary accessories
- OKF Finished floor level

All dimensions in mm.

Key: DE819445

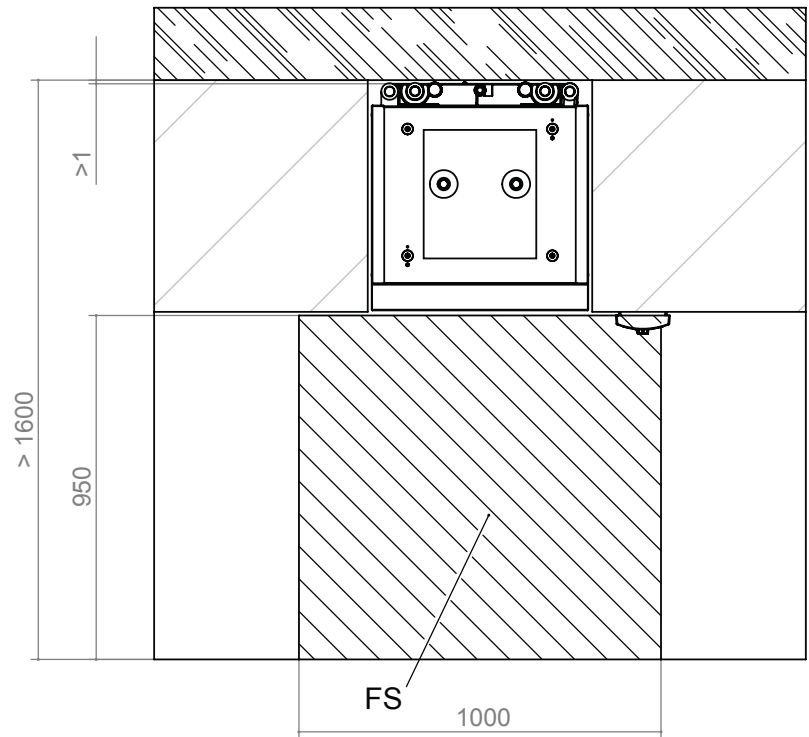
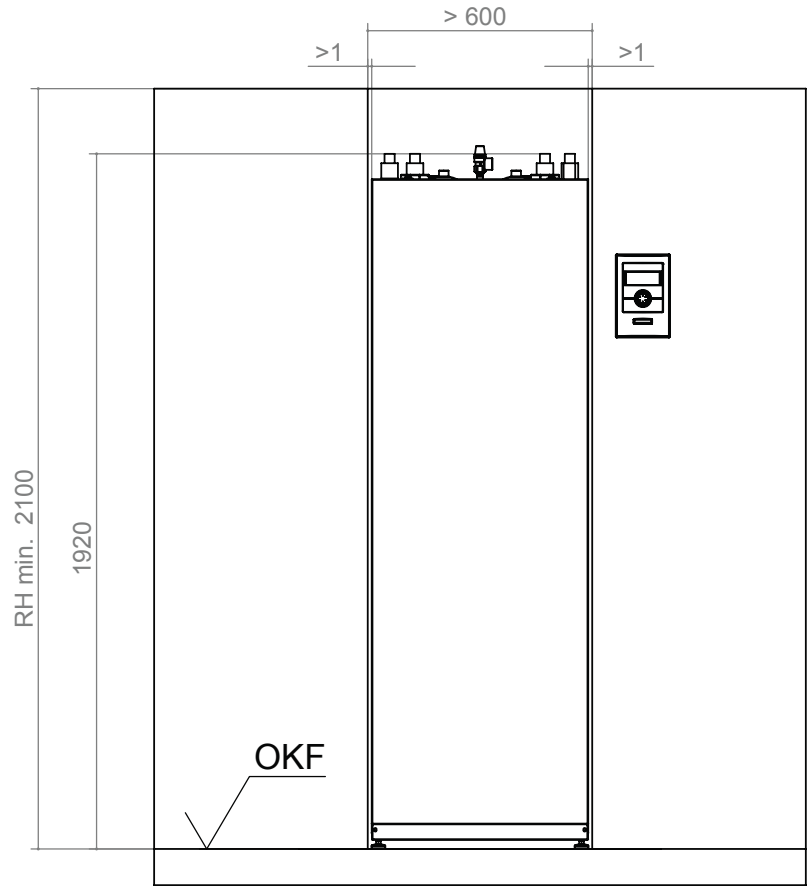
- V2 Version 2
- Rh min. Minimum room height
- FS Free space for service purposes
- FZ Free space for functionally necessary accessories
- OKF Finished floor level

All dimensions in mm.



Installation plans

V3



Key: DE819445

- V3 Version 3
- Rh min. Minimum room height
- FS Free space for service purposes
- OKF Finished floor level

All dimensions in mm.