

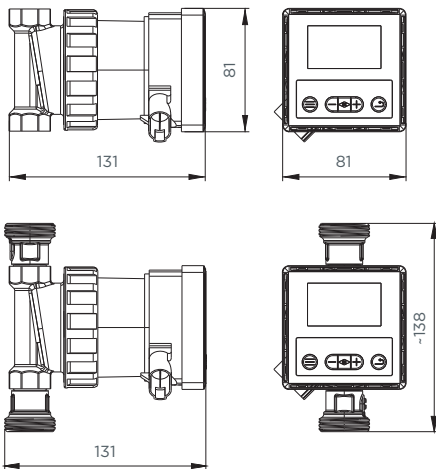


# WITA go.future Z+

## Product advantages

- 5 years warranty
- Anti-block function
- LCD display
- Contact sensor for temperature control
- Weekly program
- Low power consumption 2.5 - 7.0 W
- 3 constant speed modes
- Compact design
- Ceramic bearings

## Technical data



All product dimensions are presented in mm.

Maximum delivery head	1.4 m
Maximum flow rate	650 l/h
Power consumption	2.5 - 7 W
Regulation	3 constant speed modes
Additional functions	Anti-block function
Supply voltage	1 x 230 V, 50 Hz
Motor protection	no external motor protection required
Protection rating	IP 44
Ambient temperature	0 °C to +40 °C
Media temperature	+5 °C to +60 °C
Temperature sensor	
Regulation range	+20 °C to +60 °C
Temperature class	TF 60 according to EN 60335-2-51
Maximum system pressure	10 bars
Connection sizes	DN 15 (Rp 1/2")
Pump housing material	Brass
Weight incl. insulation	1.3 kg

Available separately as an accessory



**Art. No:**  
**A 32 500**

Characteristic WITA go.future Z+

