



EEl
≤0.23



WITA go.max

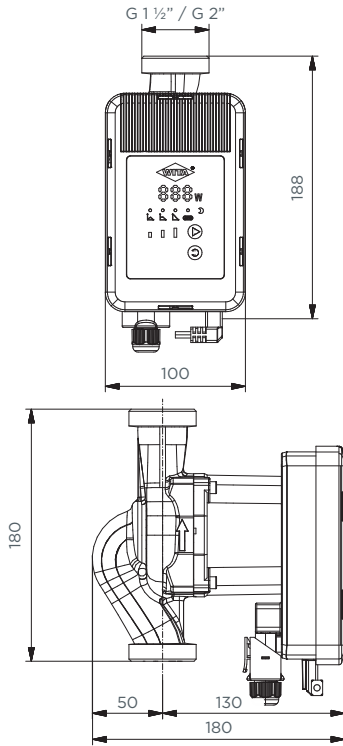
80 | 100 | 120

Product advantages

- 5 years warranty
- SmartAdapt function
- LED display of energy consumption
- Automatic night mode
- Anti-block function
- PWM external control for heating and solar available

Technical data

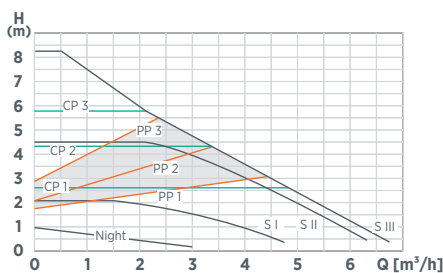
| 80 | 100 | 120



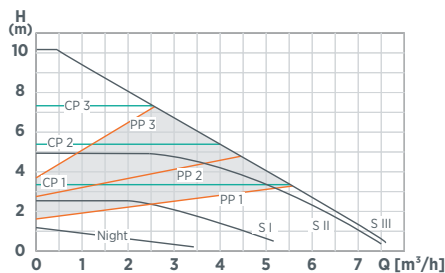
Maximum delivery head	8 m 10 m 12 m
Maximum flow rate	6 600 l/h 7 600 l/h 8 600 l/h
Power consumption	80 W 120 W 180 W
Regulation	3 constant speed modes, 3 constant pressure characteristics, 3 proportional pressure modes,
Additional function	Smart Adapt, automatic night mode
Supply voltage	1 x 230 V, 50 Hz
Motor protection	no external motor protection required
Protection rating	IP44
Ambient temperature	0 °C to 40 °C
Media temperature	2 °C to 110 °C
Temperature class	TF 110 according to EN 60335-2-51
Max. system pressure	1.0 MPa 10 bar
Connection sizes	DN 25, DN 32
Installation lengths	180 mm
Pump housing material	grey cast iron cataphoretic coated
Weight incl. insulation	3.1 kg
EEl	≤ 0.23

All product dimensions are presented in mm.

Characteristic WITA go.max 80-XX



Characteristic WITA go.max 100-XX



Characteristic WITA go.max 120-XX

